



www.md-europe.eu

# MDV-205 BW Metric

**ST.ST.BALL VALVES****SPECIFICATIONS:**

3 piece, full bore  
face-to-face EN 12982 tabel 1-67  
BW ENDS, plain ends according to drawing  
nominal pressure  
PN63  
PTFE seats and seals  
temperature -20°C upto 180°C

**RVS KOGELAFSLUITER****SPECIFICATIES:**

3-delig, volle doorlaat  
inbouwlengte EN 12982 tabel 1-67  
gladde rechte laseinden volgens tekening  
nominale druk  
PN63  
PTFE zittingen en afdichtingen  
temperatuur -20°C tot +180°C

| TUBE CONNECTIONS |               | d1   | d2   | L   | BL | CL   | H    | P  | W   |  |  |  |  |  |  | kg/pc | CF8 | CF8M |
|------------------|---------------|------|------|-----|----|------|------|----|-----|--|--|--|--|--|--|-------|-----|------|
| BUIS AANSLUITING |               | mm   | mm   | mm  | mm | mm   | mm   | mm | mm  |  |  |  |  |  |  | kg/st | 304 | 316  |
| DN 15            | 18,0 x 1,5 mm | 18,0 | 15,0 | 75  | 26 | 24,5 | 66   | 15 | 130 |  |  |  |  |  |  | 0,56  | o   | •    |
| DN 15            | 20,0 x 2,0 mm | 20,0 | 16,0 | 75  | 26 | 24,5 | 66   | 15 | 130 |  |  |  |  |  |  | 0,56  | o   | •    |
| DN 20            | 22,0 x 1,5 mm | 22,0 | 19,0 | 90  | 32 | 29   | 68,5 | 20 | 130 |  |  |  |  |  |  | 0,75  | o   | •    |
| DN 20            | 25,0 x 2,0 mm | 25,0 | 21,0 | 90  | 32 | 29   | 68,5 | 20 | 130 |  |  |  |  |  |  | 0,75  | o   | •    |
| DN 25            | 28,0 x 1,5 mm | 28,0 | 25,0 | 100 | 38 | 31   | 76   | 25 | 165 |  |  |  |  |  |  | 1,04  | o   | •    |
| DN 25            | 28,0 x 2,0 mm | 28,0 | 24,0 | 100 | 38 | 31   | 76   | 25 | 165 |  |  |  |  |  |  | 1,04  | o   | •    |
| DN 25            | 30,0 x 2,0 mm | 30,0 | 26,0 | 100 | 38 | 31   | 76   | 25 | 165 |  |  |  |  |  |  | 1,04  | o   | •    |
| DN 32            | 34,0 x 1,5 mm | 34,0 | 31,0 | 110 | 48 | 31   | 82   | 32 | 165 |  |  |  |  |  |  | 1,74  | o   | •    |
| DN 32            | 35,0 x 2,0 mm | 35,0 | 31,0 | 110 | 48 | 31   | 82   | 32 | 165 |  |  |  |  |  |  | 1,74  | o   | •    |
| DN 32            | 38,0 x 2,0 mm | 38,0 | 34,0 | 110 | 48 | 31   | 82   | 32 | 165 |  |  |  |  |  |  | 1,74  | o   | •    |
| DN 40            | 40,0 x 1,5 mm | 40,0 | 37,0 | 125 | 54 | 35,5 | 93   | 38 | 190 |  |  |  |  |  |  | 2,41  | o   | •    |
| DN 40            | 40,0 x 2,0 mm | 40,0 | 36,0 | 125 | 54 | 35,5 | 93   | 38 | 190 |  |  |  |  |  |  | 2,41  | o   | •    |
| DN 40            | 44,5 x 2,0 mm | 44,5 | 40,5 | 125 | 54 | 35,5 | 93   | 38 | 190 |  |  |  |  |  |  | 2,41  | o   | •    |
| DN 50            | 52,0 x 1,5 mm | 52,0 | 49,0 | 150 | 67 | 41,5 | 103  | 50 | 190 |  |  |  |  |  |  | 3,66  | o   | •    |
| DN 50            | 54,0 x 2,0 mm | 54,0 | 50,0 | 150 | 67 | 41,5 | 103  | 50 | 190 |  |  |  |  |  |  | 3,66  | o   | •    |

| nr | part name        | naam onderdeel     | CF8               | CF8M              | pc |
|----|------------------|--------------------|-------------------|-------------------|----|
|    |                  |                    | 304               | 316               | st |
| 1  | body             | huis               | ASTM A 351 CF8    | ASTM A 351 CF8M   | 1  |
| 2  | ball             | kogel              | ASTM A 182 F316   | ASTM A 182 F316   | 1  |
| 3  | Seat             | zitting            | PTFE              | PTFE              | 2  |
| 4  | Gasket           | pakking            | PTFE              | PTFE              | 2  |
| 5  | End-Cap          | eindkap            | ASTM A 351 CF8    | ASTM A 351 CF8M   | 2  |
| 6  | spring washer    | veerring           | ASTM 276 SS304    | ASTM 276 SS304    | 4  |
| 7  | bolt nuts        | moeren             | A2-70 (SS304)     | A2-70 (SS304)     | 4  |
| 8  | body bolt        | bouten             | A2-70 (SS304)     | A2-70 (SS304)     | 4  |
| 9  | plunger spring   | plunjer veer       | ASTM 276 SS316    | ASTM 276 SS316    | 2  |
| 10 | anti static ball | antistatischekogel | ASTM 276 SS316    | ASTM 276 SS316    | 2  |
| 11 | stem             | spindel            | ASTM 276 SS316    | ASTM 276 SS316    | 1  |
| 12 | thrust washer    | dichtingsring      | PTFE              | PTFE              | 1  |
| 14 | stem packing     | spindelpakking     | PTFE              | PTFE              | 1  |
| 15 | gland            | pakkingsdrukker    | ASTM 276 SS304    | ASTM 276 SS304    | 1  |
| 16 | nut              | moer               | A2-70 (SS304)     | A2-70 (SS304)     | 1  |
| 17 | crown washer     | kroonring          | ASTM 276 SS304    | ASTM 276 SS304    | 1  |
| 18 | spring washer    | veerring           | ASTM 276 SS304    | ASTM 276 SS304    | 1  |
| 19 | stem nut         | spindelmoer        | A2-70 (SS304)     | A2-70 (SS304)     | 1  |
| 21 | locking pad      | vergrendeling      | ASTM A 240 tp 201 | ASTM A 240 tp 201 | 1  |
| 22 | handle           | hendel             | ASTM A 240 tp 201 | ASTM A 240 tp 201 | 1  |
| 23 | handle cover     | handgreep          | PVC               | PVC               | 1  |

• stock, s.u.  
o ex mill

• voorraad, m.o.  
o af fabriek

COLOUR HANDLE COVER: standard : yellow Options : red, green, blue, grey, white

16 pcs for DN100

KLEUR HANDGREEP : standaard: geel. Opties : rood, groen, blauw, grijs, wit.

Made in licence by



MD Europe BV

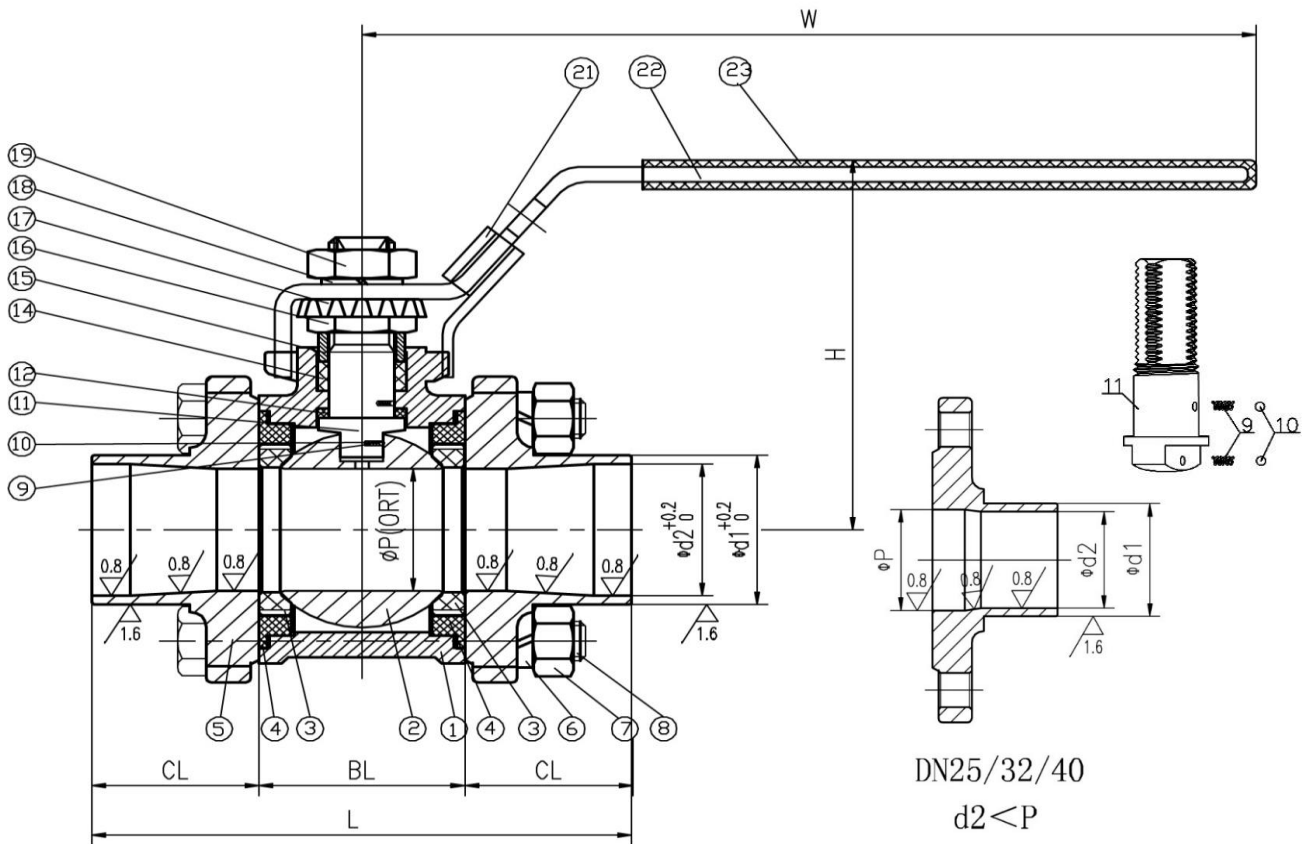
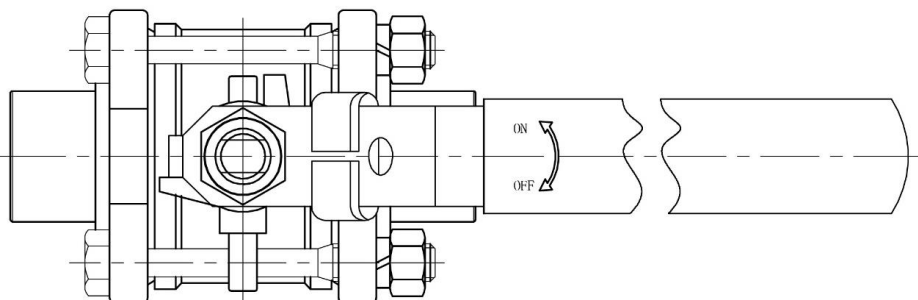
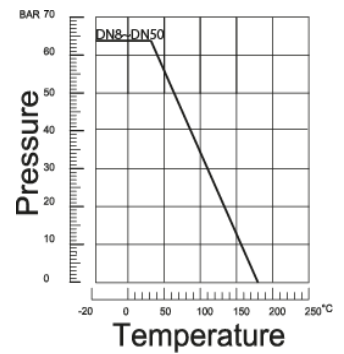


www.md-europe.eu

# MDV-205 BW Metric



pressure - temperature  
druk - temperatuur



Made in licence by

**[V]** 威腾阀门 for  
VICTORY VALVE

**MD** MD Europe BV