



www.md-europe.eu

MDV-358BW

ST.ST.BALL VALVES	RVS KOGELAFSLUITER
SPECIFICATIONS:	SPECIFICATIES:
3 piece, full bore, ISO 5211 direct-mount top flange face-to-face EN 12982 tabel 1-67 BW ends according ANSI/ASME B16.25 nominal pressure: DN 15 (1/2") - DN 50 (2"): PN63 DN 65 (2.1/2") - DN 100 (4"): PN40 PTFE seats and seals temperature -20°C upto 180°C	3-delig, volle doorlaat, ISO 5211 direct-mount top flens inbouw lengte EN 12982 tabel 1-67 laseinden volgens ANSI/ASME B16.25 nominale druk: DN 15 (1/2") - DN 50 (2"): PN63 DN 65 (2.1/2") - DN 100 (4"): PN40 PTFE zittingen en afdichtingen temperatuur -20°C tot +180°C

DIMENSIONS																			
AFMETINGEN		P	L	BL	CL	H	H3	h	W	S	ISO 5211						kg/pc	CF8	CF8M
DN	D	mm	mm	mm	mm	mm	mm	mm	mm	mm	F	PCD	Ø	F	PCD	Ø	kg/st	304	316
DN 15	21,3	15	75	26	24,5	61	35	6	120	9	F03	36	6x4	F04	42	6x4	0,56	o	•
DN 20	26,9	20	90	32	29	65	39	6	120	9	F03	36	6x4	F04	42	6x4	0,75	o	•
DN 25	33,7	25	100	38	31	81	50,5	8	165	11	F04	42	6x4	F05	50	7x4	1,08	o	•
DN 32	42,4	32	110	48	31	87	55,5	8	165	11	F04	42	6x4	F05	50	7x4	1,73	o	•
DN 40	48,3	38	125	54	35,5	100	66	10	190	14	F05	50	7x4	F07	70	9x4	2,56	o	•
DN 50	60,3	50	150	67	41,5	120	75	10	190	14	F05	50	7x4	F07	70	9x4	3,20	o	•
DN 65	76,2	64	190	87	51,5	138	93,5	12	250	17	F07	70	9x4	F10	102	11x4	7,35	o	o
DN 80	88,9	76	220	104	58	148	104	12	250	17	F07	70	9x4	F10	102	11x4	11,21	o	o
DN 100	114,3	100	270	126	72	170	130	12	300	17	F07	70	9x4	F10	102	11x4	20,30	o	o

nr	part name	naam onderdeel	CF8	CF8M	pc
			304	316	st
1	body	huis	ASTM A 351 CF8	ASTM A 351 CF8M	1
2	ball	kogel	ASTM A 182 F316	ASTM A 182 F316	1
3	Seat	zitting	PTFE	PTFE	2
4	Gasket	pakking	PTFE	PTFE	2
5	End-Cap	eindkap	ASTM A 351 CF8	ASTM A 182 F316	2
6	spring washer	veerring	ASTM 276 SS304	ASTM 276 SS304	4/6 ¹
7	bolt nuts	moeren	A2-70 (SS304)	A2-70 (SS304)	4/6 ¹
8	body bolt	bouten	A2-70 (SS304)	A2-70 (SS304)	4/6 ¹
9	plunger spring	plunjer veer	ASTM 276 SS316	ASTM 276 SS316	2
10	anti static ball	antistatischekogel	ASTM 276 SS316	ASTM 276 SS316	2
11	stem	spindel	ASTM 276 SS316	ASTM 276 SS316	1
12	thrust washer	dichtingsring	PTFE	PTFE	1
13	o ring	o ring	viton	viton	1
14	stem packing	spindelpakking	PTFE	PTFE	1
15	gland	pakkingsdrukker	ASTM 276 SS304	ASTM 276 SS304	1
16	nut	moer	A2-70 (SS304)	A2-70 (SS304)	1
17	crown washer	kroonring	ASTM 276 SS304	ASTM 276 SS304	1
18	spring washer	veerring	ASTM 276 SS304	ASTM 276 SS304	1
19	stem nut	spindelmoer	A2-70 (SS304)	A2-70 (SS304)	1
20	handle stop bolt	hendel stoppin	A2-70 (SS304)	A2-70 (SS304)	1
21	locking pad	vergrendeling	ASTM A 240 tp 201	ASTM A 240 tp 201	1
22	handle	hendel	ASTM A 240 tp 201	ASTM A 240 tp 201	1
23	handle cover	handgreep	A2-70 (SS304)	A2-70 (SS304)	1
24	handle stop nut	hendel stopmoer	A2-70 (SS304)	A2-70 (SS304)	1

- stock, s.u.
 - o ex mill
-
- voorraad, m.o.
 - o af fabriek

COLOUR HANDLE COVER: standard : yellow Options : red, green, blue, grey, white 1 6 pcs for DN100
 KLEUR HANDGREEP : standaard: geel. Opties : rood, groen, blauw, grijs, wit.

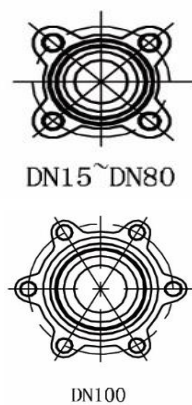
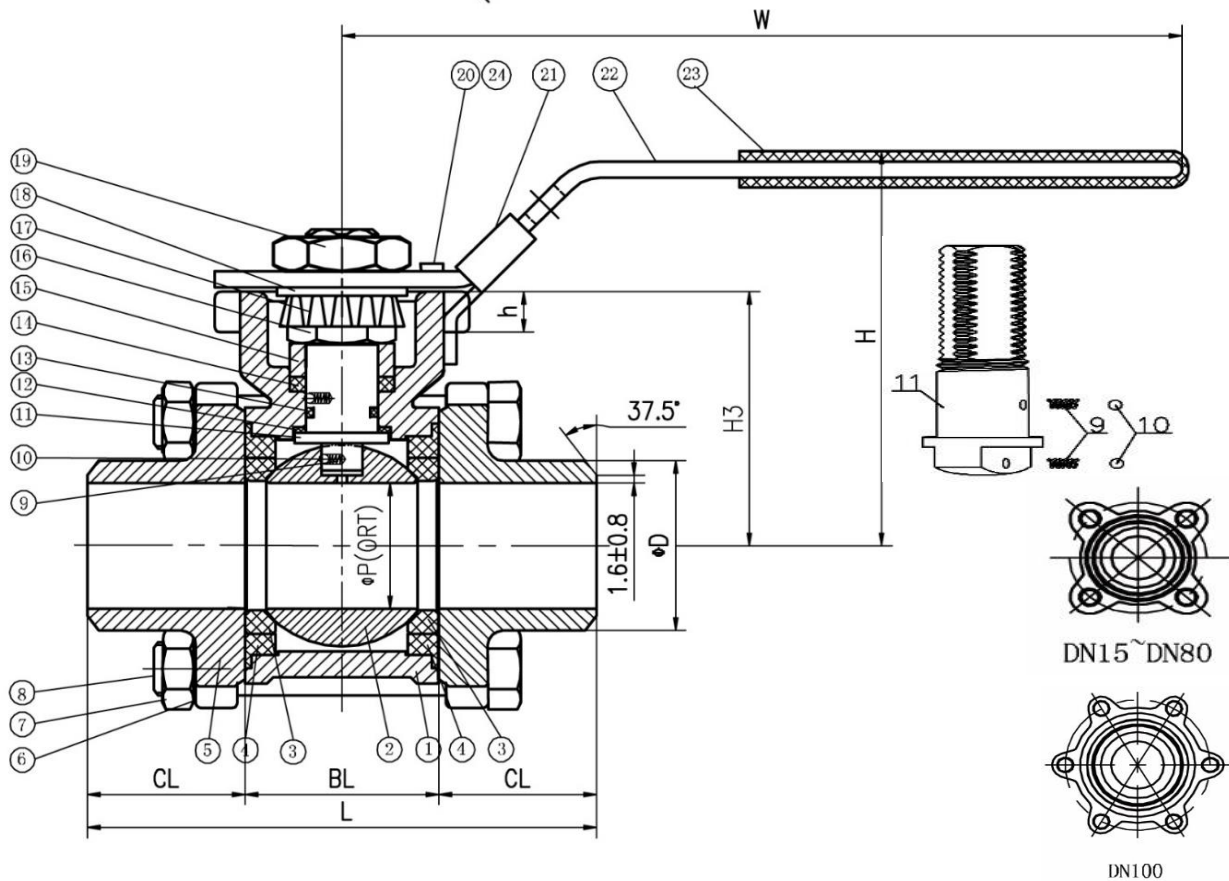
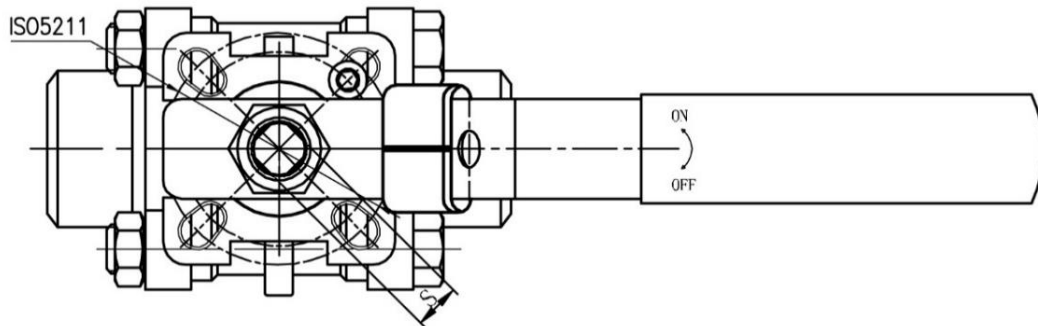
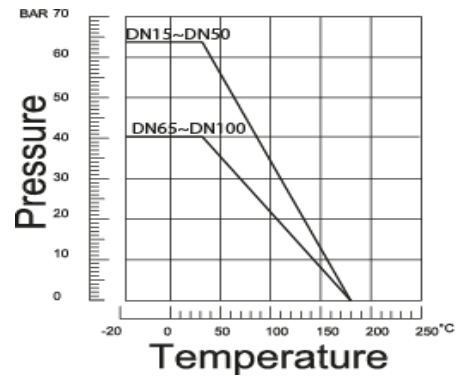


www.md-europe.eu

MDV-358BW



pressure - temperature
druk - temperatuur



Made in licence by **[V] 威腾阀门** for VICTORY VALVE

MD MD Europe BV