



MDV-358BW Metric

ST.ST.BALL VALVES	RVS KOGELAFSLUITER
SPECIFICATIONS:	SPECIFICATIES:
3 piece, full bore, ISO 5211 direct-mount top flange face-to-face EN 12982 tabel 1-67 BW ENDS, plain ends according to drawing <u>nominal pressure</u> PN63 PTFE seats and seals temperature -20°C upto 180°C	3-delig, volle doorlaat, ISO 5211 direct-mount top flens inbouw lengte EN 12982 tabel 1-67 gladde rechte laseinden volgens tekening <u>nominale druk</u> PN63 PTFE zittingen en afdichtingen temperatuur -20°C tot +180°C

TUBE CONNECTIONS	d1	d2	L	BL	CL	H	P	W	S	ISO 5211					kg/pc	CF8	CF8M		
BUIS AANSLUITING	mm	mm	mm	mm	mm	mm	mm	mm	mm	F	PCD	Ø	F	PCD	Ø	kg/st	304	316	
DN 15	18,0 x 1,5 mm	18,0	15,0	75	26	24,5	61	15	120	9	F03	36	6x4	F04	42	6x4	0,56	o	•
DN 15	20,0 x 2,0 mm	20,0	16,0	75	26	24,5	61	15	120	9	F03	36	6x4	F04	42	6x4	0,56	o	•
DN 20	22,0 x 1,5 mm	22,0	19,0	90	32	29	65	20	120	9	F03	36	6x4	F04	42	6x4	0,75	o	•
DN 20	25,0 x 2,0 mm	25,0	21,0	90	32	29	65	20	120	9	F03	36	6x4	F04	42	6x4	0,75	o	•
DN 25	28,0 x 1,5 mm	28,0	25,0	100	38	31	81	25	165	11	F04	42	6x4	F05	50	7x4	1,08	o	•
DN 25	28,0 x 2,0 mm	28,0	24,0	100	38	31	81	25	165	11	F04	42	6x4	F05	50	7x4	1,08	o	•
DN 25	30,0 x 2,0 mm	30,0	26,0	100	38	31	81	25	165	11	F04	42	6x4	F05	50	7x4	1,08	o	•
DN 32	34,0 x 1,5 mm	34,0	31,0	110	48	31	87	32	165	11	F04	42	6x4	F05	50	7x4	1,73	o	•
DN 32	35,0 x 2,0 mm	35,0	31,0	110	48	31	87	32	165	11	F04	42	6x4	F05	50	7x4	1,73	o	•
DN 32	38,0 x 2,0 mm	38,0	34,0	110	48	31	87	32	165	11	F04	42	6x4	F05	50	7x4	1,73	o	•
DN 40	40,0 x 1,5 mm	40,0	37,0	125	54	35,5	100	38	190	14	F05	50	7x4	F07	70	9x4	2,56	o	•
DN 40	40,0 x 2,0 mm	40,0	36,0	125	54	35,5	100	38	190	14	F05	50	7x4	F07	70	9x4	2,56	o	•
DN 40	44,5 x 2,0 mm	44,5	40,5	125	54	35,5	100	38	190	14	F05	50	7x4	F07	70	9x4	2,56	o	•
DN 50	52,0 x 1,5 mm	52,0	49,0	150	67	41,5	120	50	190	14	F05	50	7x4	F07	70	9x4	3,20	o	•
DN 50	54,0 x 2,0 mm	54,0	50,0	150	67	41,5	120	50	190	14	F05	50	7x4	F07	70	9x4	3,20	o	•

nr	part name	naam onderdeel	CF8	CF8M	pc
			304	316	st
1	body	huis	ASTM A 351 CF8	ASTM A 351 CF8M	1
2	ball	kogel	ASTM A 182 F316	ASTM A 182 F316	1
3	Seat	zitting	PTFE	PTFE	2
4	Gasket	pakking	PTFE	PTFE	2
5	End-Cap	eindkap	ASTM A 351 CF8	ASTM A 182 F316	2
6	spring washer	veerring	ASTM 276 SS304	ASTM 276 SS304	4
7	bolt nuts	moeren	A2-70 (SS304)	A2-70 (SS304)	4
8	body bolt	bouten	A2-70 (SS304)	A2-70 (SS304)	4
9	plunger spring	plunjer veer	ASTM 276 SS316	ASTM 276 SS316	2
10	anti static ball	antistatischekogel	ASTM 276 SS316	ASTM 276 SS316	2
11	stem	spindel	ASTM 276 SS316	ASTM 276 SS316	1
12	thrust washer	dichtingsring	PTFE	PTFE	1
13	o ring	o ring	viton	viton	1
14	stem packing	spindelpakking	PTFE	PTFE	1
15	gland	pakkingsdrukker	ASTM 276 SS304	ASTM 276 SS304	1
16	nut	moer	A2-70 (SS304)	A2-70 (SS304)	1
17	crown washer	kroonring	ASTM 276 SS304	ASTM 276 SS304	1
18	spring washer	veerring	ASTM 276 SS304	ASTM 276 SS304	1
19	stem nut	spindelmoer	A2-70 (SS304)	A2-70 (SS304)	1
20	handle stop bolt	hendel stoppin	A2-70 (SS304)	A2-70 (SS304)	1
21	locking pad	vergrendeling	ASTM A 240 tp 201	ASTM A 240 tp 201	1
22	handle	hendel	ASTM A 240 tp 201	ASTM A 240 tp 201	1
23	handle cover	handgreep	A2-70 (SS304)	A2-70 (SS304)	1
24	handle stop nut	hendel stopmoer	A2-70 (SS304)	A2-70 (SS304)	1

- stock, s.u.
- o ex mill

- voorraad, m.o.
- o af fabriek

COLOUR HANDLE COVER: standard : yellow Options : red, green, blue, grey, white

KLEUR HANDGREEP : standaard: geel. Opties : rood, groen, blauw, grijs, wit.

Made in licence by





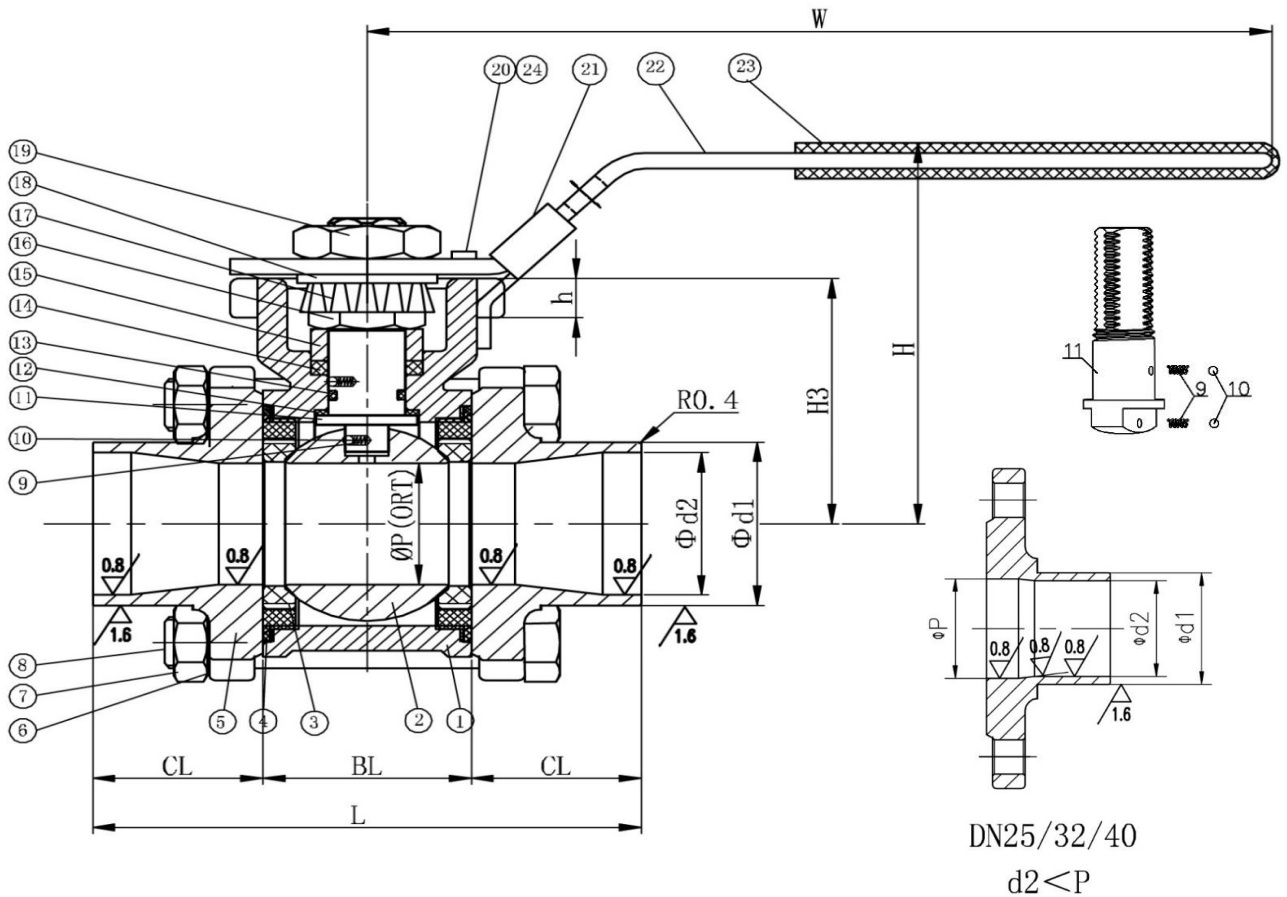
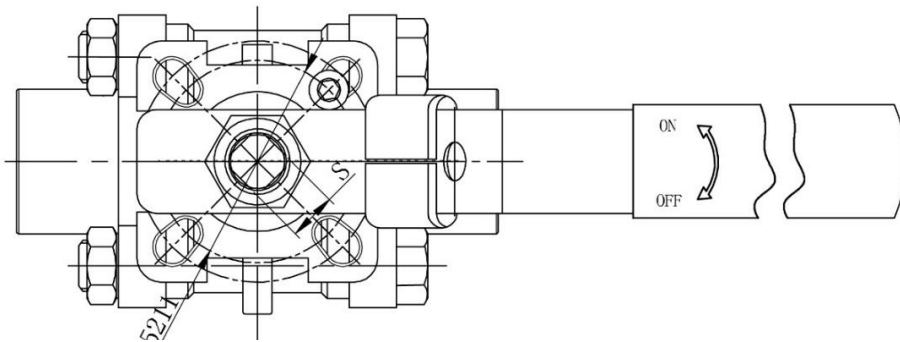
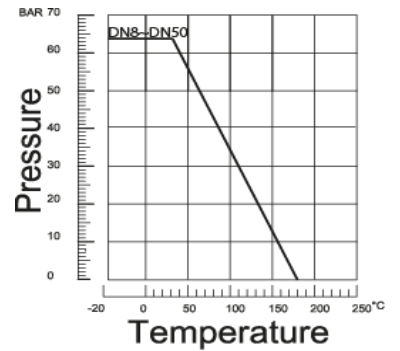
www.md-europe.eu

MDV-358BW Metric



pressure - temperature

druk - temperatuur



Made in licence by

