



www.md-europe.eu

MDV-358FL

ST.ST.BALL VALVES

SPECIFICATIONS:

3 piece, full bore, ISO 5211 direct-mount top flange
 face-to-face EN 558 tabel 2-1
 flange ends EN 1092-1 Type 21
 nominal pressure:
 DN 15 - DN 50 PN 40
 DN 65 - DN 100 PN 16
 PTFE seats and seals
 temperature -20°C upto 180°C

RVS KOGELAFSLUITER

SPECIFICATIES:

3-delig, volle doorlaat, ISO 5221 direct-mount top flens
 inbouw lengte EN 558 tabel 2-1
 flensaansluiting EN 1092-1 Type 21
 nominale druk:
 DN 15 - DN 50 PN 40
 DN 65 - DN 100 PN 16
 PTFE zittingen en afdichtingen
 temperatuur -20°C tot +180°C

DIMENSIONS

AFMETINGEN		P	L	BL	CL	H	H3	h	W	S	D1	D2	C	f	N	M	ISO 5211						kg/pc	CF8	CF8M
DN	D	mm	mm	mm	mm	mm	mm	mm	mm	mm	mm	mm	mm	mm	mm	mm	F	PCD	Ø	F	PCD	Ø	kg/st	304	316
DN 15	95	15	130	26	52	61	35,0	6	120	9	65	45	16	2	4	14	F03	36	6x4	F04	42	6x4	1,5	o	•
DN 20	105	20	150	32	59	65	39,0	6	120	9	75	58	18	2	4	14	F03	36	6x4	F04	42	6x4	2,9	o	•
DN 25	115	25	160	38	61	81	50,5	8	165	11	85	68	18	2	4	14	F04	42	6x4	F05	50	7x4	3,9	o	•
DN 32	140	32	180	48	66	87	55,5	8	165	11	100	78	18	2	4	18	F04	42	6x4	F05	50	7x4	5,8	o	•
DN 40	150	38	200	54	73	100	66,0	10	190	14	110	88	18	3	4	18	F05	50	7x4	F07	70	9x4	7,7	o	•
DN 50	165	50	230	67	82	120	75,0	10	190	14	125	102	20	3	4	18	F05	50	7x4	F07	70	9x4	12,0	o	•
DN 65	185	64	290	87	102	138	93,6	12	250	17	145	122	18	3	8	18	F07	70	9x4	F10	102	11x4	17,4	o	o
DN 80	200	76	310	104	103	148	104	12	250	17	160	138	20	3	8	18	F07	70	9x4	F10	102	11x4	24,6	o	o
DN 100	220	100	350	126	112	170	130	12	300	17	180	158	20	3	8	18	F07	70	9x4	F10	102	11x4	48,8	o	o

nr	part name	naam onderdeel	CF8	CF8M	pc
			tp304/EN 1.4308	tp316/1.4408	st
1	body	huis	ASTM A 351 CF8	ASTM A 351 CF8M	1
2	ball	kogel	ASTM A 182 F316	ASTM A 182 F316	1
3	Seat	zitting	PTFE	PTFE	2
4	Gasket	pakking	PTFE	PTFE	2
5	End-Cap	eindkap	ASTM A 351 CF8	ASTM A 351 CF8M	2
6	spring washer	veerring	ASTM 276 SS304	ASTM 276 SS304	4/6 ¹
7	bolt nuts	moeren	A2-70 (SS304)	A2-70 (SS304)	4/6 ¹
8	body bolt	bouten	A2-70 (SS304)	A2-70 (SS304)	4/6 ¹
9	plunger spring	plunjer veer	ASTM 276 SS316	ASTM 276 SS316	2
10	anti static ball	antistatischekogel	ASTM 276 SS316	ASTM 276 SS316	2
11	stem	spindel	ASTM 276 SS316	ASTM 276 SS316	1
12	thrust washer	dichtingsring	PTFE	PTFE	1
13	o ring	o ring	viton	viton	1
14	stem packing	spindelpakking	PTFE	PTFE	1
15	gland	pakkingsdrukker	ASTM 276 SS304	ASTM 276 SS304	1
16	nut	moer	A2-70 (SS304)	A2-70 (SS304)	1
17	crown washer	kroonring	ASTM 276 SS304	ASTM 276 SS304	1
18	spring washer	veerring	ASTM 276 SS304	ASTM 276 SS304	1
19	stem nut	spindelmoer	A2-70 (SS304)	A2-70 (SS304)	1
20	handle stop bolt	hendel stoppin	A2-70 (SS304)	A2-70 (SS304)	1
21	locking pad	vergrendeling	ASTM A 240 tp 201	ASTM A 240 tp 201	1
22	handle	hendel	ASTM A 240 tp 201	ASTM A 240 tp 201	1
23	handle cover	handgreep	A2-70 (SS304)	A2-70 (SS304)	1
24	hanlde stop nut	hendel stopmoer	A2-70 (SS304)	A2-70 (SS304)	1

- stock, s.u.
- o ex mill

- voorraad, m.o.
- o af fabriek

¹ 6 pcs for DN100

COLOUR HANDLE COVER: standard : yellow Options : red, green, blue, grey, white

KLEUR HANDGREEP : standaard: geel. Opties : rood, groen, blauw, grijs, wit.

Made in licence by



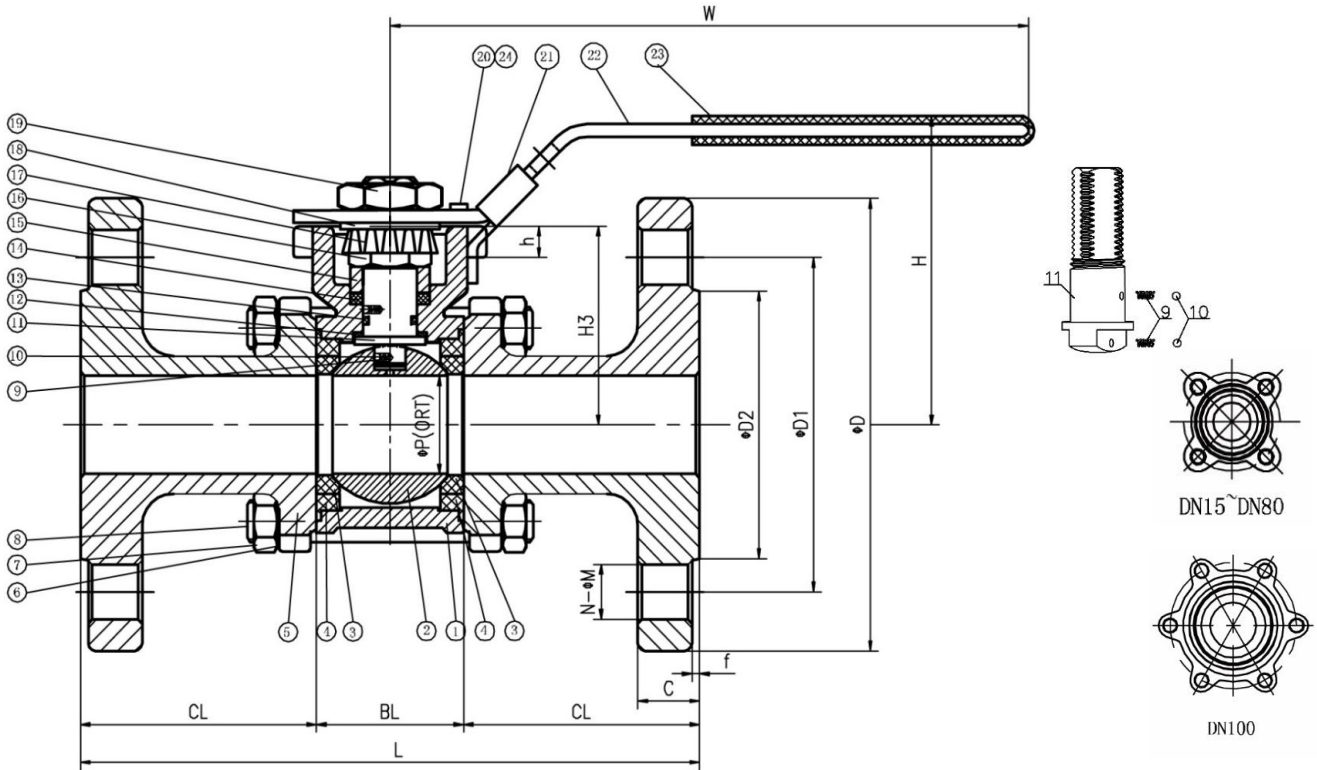
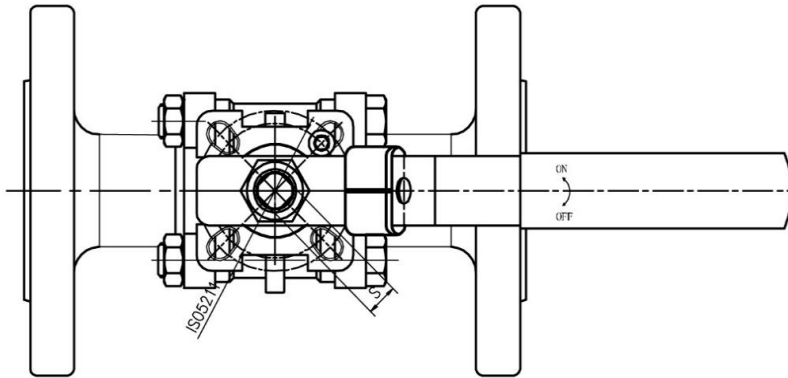
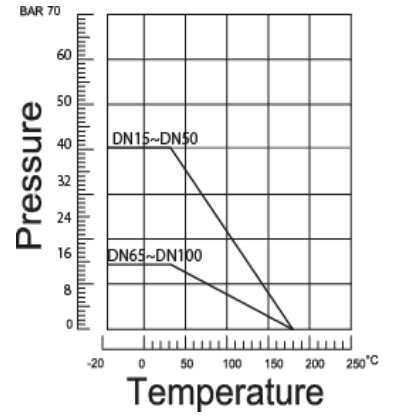


www.md-europe.eu

MDV-358FL



pressure - temperature
druk - temperatuur



Made in licence by

