



www.md-europe.eu

# MDV-205D series A

ST.ST.BALL VALVES	RVS KOGELAFSLUITER
<b>SPECIFICATIONS:</b>	<b>SPECIFICATIES:</b>
3 piece, full bore <b>CAVITY PTFE FILLED</b> <b>INSIDE SURFACE (d2/P) roughness Ra &gt; 0.4 &lt; 0.8 µm</b> face-to-face EN 12982 tabel 1-67 BW ENDS: plain ends according to drawing <u>nominal pressure</u> PN25 PTFE seats and seals temperature -20°C upto 180°C	3-delig, volle doorlaat <b>HOLLE RUIMTE PTFE GEVULD</b> <b>INWENDIG OPPERVLAK (d2/P) ruwheid Ra &gt; 0.4 &lt; 0.8 µm</b> inbouw lengte EN 12982 tabel 1-67 gladde rechte laseinden volgens tekening <u>nominale druk</u> PN25 PTFE zittingen en afdichtingen temperatuur -20°C tot +180°C

TUBE CONNECTIONS	d1	d2	L	BL	CL	H	P	W									kg/pc	CF8	CF8M
BUIS AANSLUITING	mm	mm	mm	mm	mm	mm	mm	mm									kg/st	304	316
DN 15	19,0 x 1,5 mm	19	16	75	26	24,5	66	15	130								0,56	o	•
DN 20	23,0 x 1,5 mm	23	20	90	32	29	68,5	20	130								0,75	o	•
DN 25	29,0 x 1,5 mm	29	26	100	38	31	76	25	165								1,04	o	•
DN 32	35,0 x 1,5 mm	35	32	110	48	31	82	32	165								1,74	o	•
DN 40	41,0 x 1,5 mm	41	38	125	54	35,5	93	38	190								2,41	o	•
DN 50	53,0 x 1,5 mm	53	50	150	67	41,5	103	50	190								3,66	o	•
DN 65	70,0 x 2,0 mm	70	66	190	87	51,5	135	65	250								7,10	o	o
DN 80	85,0 x 2,0 mm	85	81	220	104	58	144	80	250								10,50	o	o
DN 100	104,0 x 2,0 mm	104	100	270	126	72	203	100	300								19,50	o	o

nr	part name	naam onderdeel	CF8	CF8M	pc
			304	316	st
1	body	huis	ASTM A 351 CF8	ASTM A 351 CF8M	1
2	ball	kogel	ASTM A 182 F316	ASTM A 182 F316	1
3	Seat Cavity Filled	zitting holte gevuld	PTFE	PTFE	2
4	Gasket	pakking	PTFE	PTFE	2
5	End-Cap	eindkap	ASTM A 351 CF8	ASTM A 351 CF8M	2
6	spring washer	veerring	ASTM 276 SS304	ASTM 276 SS304	4/6 <sup>1</sup>
7	bolt nuts	moeren	A2-70 (SS304)	A2-70 (SS304)	4/6 <sup>1</sup>
8	body bolt	bouten	A2-70 (SS304)	A2-70 (SS304)	4/6 <sup>1</sup>
9	plunger spring	plunjer veer	ASTM 276 SS316	ASTM 276 SS316	2
10	anti static ball	antistatischekogel	ASTM 276 SS316	ASTM 276 SS316	2
11	stem	spindel	ASTM 276 SS316	ASTM 276 SS316	1
12	thrust washer	dichtingsring	PTFE	PTFE	1
14	stem packing	spindelpakking	PTFE	PTFE	1
15	gland	pakkingsdrukker	ASTM 276 SS304	ASTM 276 SS304	1
16	nut	moer	A2-70 (SS304)	A2-70 (SS304)	1
17	crown washer	kroonring	ASTM 276 SS304	ASTM 276 SS304	1
18	spring washer	veerring	ASTM 276 SS304	ASTM 276 SS304	1
19	stem nut	spindelmoer	A2-70 (SS304)	A2-70 (SS304)	1
21	locking pad	vergrendeling	ASTM A 240 tp 201	ASTM A 240 tp 201	1
22	handle	hendel	ASTM A 240 tp 201	ASTM A 240 tp 201	1
23	handle cover	handgreep	PVC	PVC	1

- stock, s.u.
  - o ex mill
- 
- voorraad, m.o.
  - o af fabriek

<sup>1</sup> 6 pcs for DN100

COLOUR HANDLE COVER: standard : yellow Options : red, green, blue, grey, white  
 KLEUR HANDGREEP : standaard: geel. Opties : rood, groen, blauw, grijs, wit.

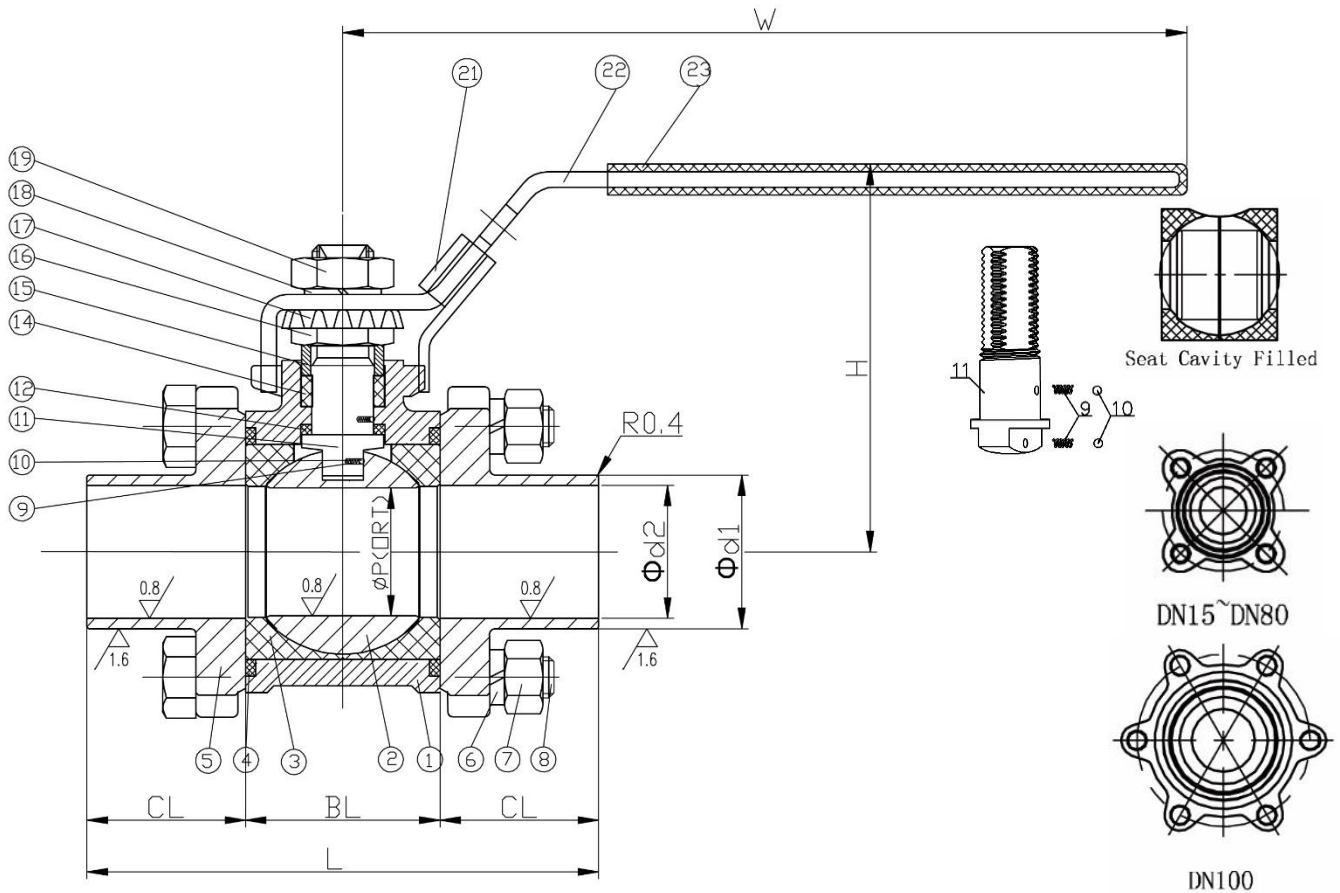
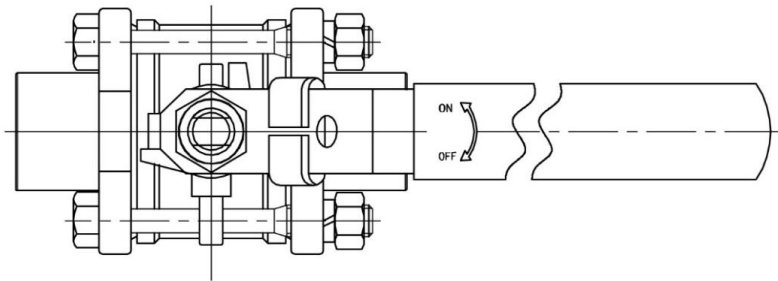
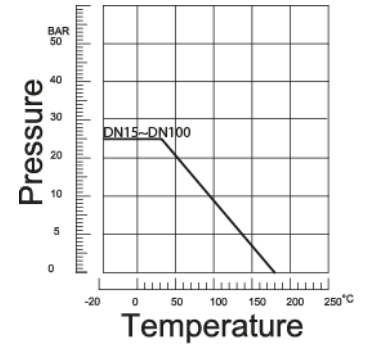


www.md-europe.eu

# MDV-205D series A



pressure - temperature  
druk - temperatuur



Made in licence by [V] 威腾阀门 for VICTORY VALVE

MD MD Europe BV