



www.md-europe.eu

MDV-358D series A

ST.ST.BALL VALVES**SPECIFICATIONS:**

3 piece, full bore, ISO5211 direct-mount top flange

CAVITY PTFE FILLED**INSIDE SURFACE (d2/P) roughness Ra > 0.4 < 0.8 µm**

face-to-face EN 12982 tabel 1-67

BW ENDS: plain ends according to drawing

nominal pressure

PN25

PTFE seats and seals

temperature -20°C upto 180°C

RVS KOGELAFSLUITER**SPECIFICATIES:**

3-delig, volle doorlaat, ISO 5211 direct-mount top flens

HOLLE RUIMTE PTFE GEVULD**INWENDIG OPPERVLAK (d2/P) ruwheid Ra > 0.4 < 0.8 µm**

inbouw lengte EN 12982 tabel 1-67

gladde rechte laseinden volgens tekening

nominale druk

PN25

PTFE zittingen en afdichtingen

temperatuur -20°C tot +180°C

TUBE CONNECTIONS		d1	d2	L	BL	CL	H	H3	h	P	W	S	ISO 5211						kg/pc	CF8	CF8M
BUIS AANSLUITING		mm	mm	mm	mm	mm	mm	mm	mm	mm	mm	mm	F	PCD	Ø	F	PCD	Ø	kg/st	304	316
DN 15	19,0 x 1,5 mm	19	16	75	26	24,5	61	35	6	15	120	9	F03	36	6x4	F04	42	6x4	0,56	•	•
DN 20	23,0 x 1,5 mm	23	20	90	32	29	65	39	6	20	120	9	F03	36	6x4	F04	42	6x4	0,75	•	•
DN 25	29,0 x 1,5 mm	29	26	100	38	31	81	50,5	8	25	165	11	F04	42	6x4	F05	50	7x4	1,08	•	•
DN 32	35,0 x 1,5 mm	35	32	110	48	31	87	55,5	8	32	165	11	F04	42	6x4	F05	50	7x4	1,73	o	•
DN 40	41,0 x 1,5 mm	41	38	125	54	35,5	100	66	10	38	190	14	F05	50	7x4	F07	70	9x4	2,56	o	•
DN 50	53,0 x 1,5 mm	53	50	150	67	41,5	120	75	10	50	190	14	F05	50	7x4	F07	70	9x4	3,20	o	•
DN 65	70,0 x 2,0 mm	70	66	190	87	51,5	138	93,5	12	65	250	17	F07	70	9x4	F10	102	11x4	7,35	•	o
DN 80	85,0 x 2,0 mm	85	81	220	104	58	148	104	12	80	250	17	F07	70	9x4	F10	102	11x4	11,21	•	o
DN 100	104,0 x 2,0 mm	104	100	270	126	72	170	130	12	100	300	17	F07	70	9x4	F10	102	11x4	20,30	o	o

nr	part name	naam onderdeel	CF8	CF8M	pc
			304	316	st
1	body	huis	ASTM A 351 CF8	ASTM A 351 CF8M	1
2	ball	kogel	ASTM A 182 F316	ASTM A 182 F316	1
3	Seat Cavity Filled	zitting holte gevuld	PTFE	PTFE	2
4	Gasket	pakking	PTFE	PTFE	2
5	End-Cap	eindkap	ASTM A 351 CF8	ASTM A 351 CF8M	2
6	spring washer	veerring	ASTM 276 SS304	ASTM 276 SS304	4/6 ¹
7	bolt nuts	moeren	A2-70 (SS304)	A2-70 (SS304)	4/6 ¹
8	body bolt	bouten	A2-70 (SS304)	A2-70 (SS304)	4/6 ¹
9	plunger spring	plunjer veer	ASTM 276 SS316	ASTM 276 SS316	2
10	anti static ball	antistatischekogel	ASTM 276 SS316	ASTM 276 SS316	2
11	stem	spindel	ASTM 276 SS316	ASTM 276 SS316	1
12	thrust washer	dichtingsring	PTFE	PTFE	1
13	o ring	o ring	viton	viton	1
14	stem packing	spindelpakking	PTFE	PTFE	1
15	gland	pakkingsdrukker	ASTM 276 SS304	ASTM 276 SS304	1
16	nut	moer	A2-70 (SS304)	A2-70 (SS304)	1
17	crown washer	kroonring	ASTM 276 SS304	ASTM 276 SS304	1
18	spring washer	veerring	ASTM 276 SS304	ASTM 276 SS304	1
19	stem nut	spindelmoer	A2-70 (SS304)	A2-70 (SS304)	1
20	handle stop bolt	hendel stoppin	A2-70 (SS304)	A2-70 (SS304)	1
21	locking pad	vergrendeling	ASTM A 240 tp 201	ASTM A 240 tp 201	1
22	handle	hendel	ASTM A 240 tp 201	ASTM A 240 tp 201	1
23	handle cover	handgreep	PVC	PVC	1
24	handle stop nut	hendel stopmoer	A2-70 (SS304)	A2-70 (SS304)	1

¹ 6 pcs for DN100

COLOR HANDLE COVER : standard : yellow Options : red, green, blue, grey, white

KLEUR HANDGRIEP : standaard: geel. Opties : rood, groen, blauw, grijs, wit.

• stock, s.u.

o ex mill

• voorraad, m.o.

o af fabriek

Made in licence by [V] 威腾阀门 for

VICTORY VALVE

MD MD Europe BV

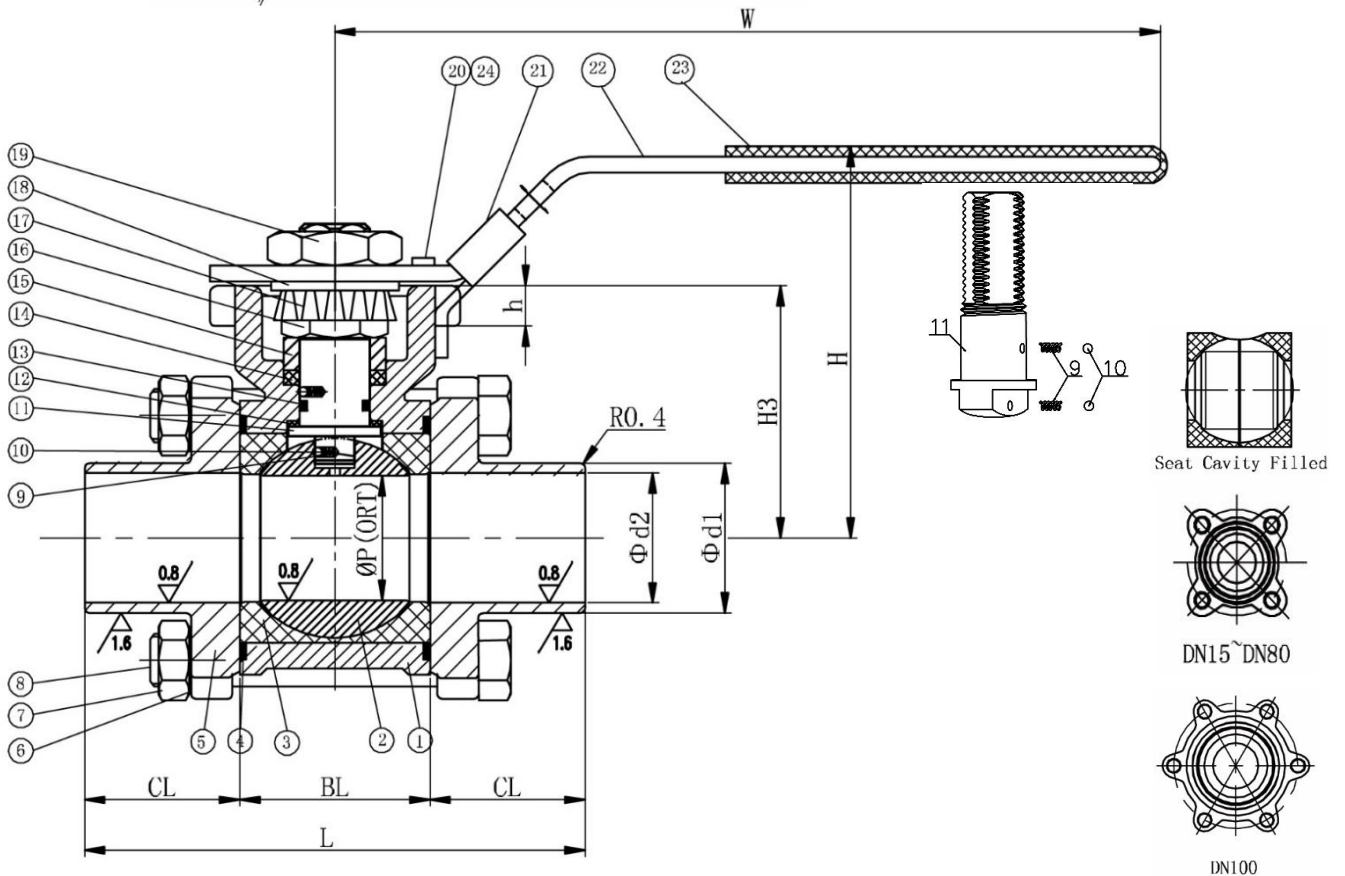
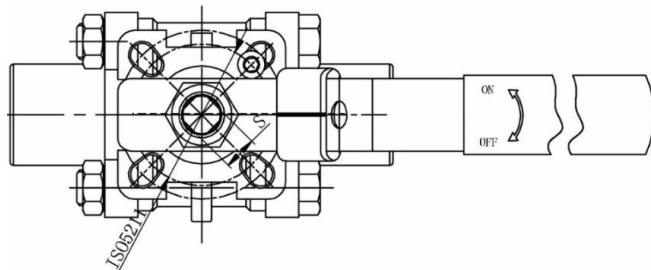
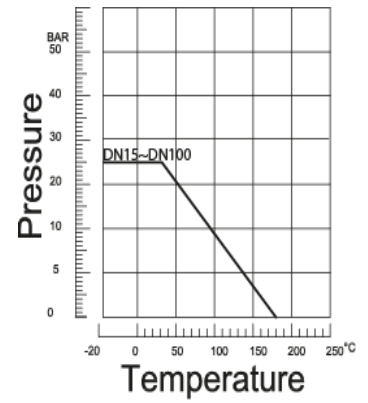


MDV-358D series A

www.md-europe.eu



pressure - temperature
druk - temperatuur



Made in licence by **[V] 威腾阀门** for **VICTORY VALVE**

MD MD Europe BV