



MDV-358D series C NL

www.md-europe.eu

ST.ST.BALL VALVES	RVS KOGELAFSLUITER
SPECIFICATIONS:	SPECIFICATIES:
3 piece, full bore, ISO5211 direct-mount top flange CAVITY PTFE FILLED INSIDE SURFACE (d2/P) roughness Ra > 0.4 < 0.8 µm face-to-face EN 12982 tabel 1-67 BW ENDS: plain ends according to drawing <u>nominal pressure</u> PN25 PTFE seats and seals temperature -20°C upto 180°C	3-delig, volle doorlaat, ISO 5211 direct-mount top flens HOLLE RUIMTE PTFE GEVULD INWENDIG OPPERVLAK (d2/P) ruwheid Ra > 0.4 < 0.8 µm inbouw lengte EN 12982 tabel 1-67 gladde rechte laseinden volgens tekening <u>nominale druk</u> PN25 PTFE zittingen en afdichtingen temperatuur -20°C tot +180°C

TUBE CONNECTIONS	d1	d2	L	BL	CL	H	H3	h	P	W	S	ISO 5211						kg/pc	CF8	CF8M	
BUIS AANSLUITING	mm	mm	mm	mm	mm	mm	mm	mm	mm	mm	mm	F	PCD	Ø	F	PCD	Ø	kg/st	304	316	
1"	25,4 x 1,2 mm	25,4	23,0	100	38	31	81	51	8	22,5	165	11	F04	42	6x4	F05	50	7x4	1,08	●	○
1.1/2"	38,1 x 1,5 mm	38,1	35,1	125	54	35,5	100	66	10	35,6	190	14	F05	50	7x4	F07	70	9x4	2,56	●	○
2"	50,8 x 1,5 mm	50,8	47,8	150	67	41,5	120	75	10	48,5	190	14	F05	50	7x4	F07	70	9x4	3,20	●	○
2.1/2"	63,5 x 1,5 mm	63,5	60,5	190	87	51,5	138	94	12	60,5	250	17	F07	70	9x4	F10	102	11x4	7,35	●	○
3"	76,2 x 1,5 mm	76,2	73,2	220	104	58	148	104	12	73,2	250	17	F07	70	9x4	F10	102	11x4	11,21	●	○
4"	101,6 x 2,0 mm	101,6	97,6	270	126	72	170	130	12	97,6	300	17	F07	70	9x4	F10	102	11x4	20,30	●	○

nr	part name	naam onderdeel	CF8	CF8M	pc
			304	316	st
1	body	huis	ASTM A 351 CF8	ASTM A 351 CF8M	1
2	ball	kogel	ASTM A 182 F316	ASTM A 182 F316	1
3	Seat Cavity Filled	zitting holte gevuld	PTFE	PTFE	2
4	Gasket	pakking	PTFE	PTFE	2
5	End-Cap	eindkap	ASTM A 351 CF8	ASTM A 351 CF8M	2
6	spring washer	veerring	ASTM 276 SS304	ASTM 276 SS304	4/6 ¹
7	bolt nuts	moeren	A2-70 (SS304)	A2-70 (SS304)	4/6 ¹
8	body bolt	bouten	A2-70 (SS304)	A2-70 (SS304)	4/6 ¹
9	plunger spring	plunjer veer	ASTM 276 SS316	ASTM 276 SS316	2
10	anti static ball	antistatischekogel	ASTM 276 SS316	ASTM 276 SS316	2
11	stem	spindel	ASTM 276 SS316	ASTM 276 SS316	1
12	thrust washer	dichtingsring	PTFE	PTFE	1
13	o ring	o ring	viton	viton	1
14	stem packing	spindelpakking	PTFE	PTFE	1
15	gland bushing	pakkingsdrukker	ASTM 276 SS304	ASTM 276 SS304	1
16	nut	moer	A2-70 (SS304)	A2-70 (SS304)	1
17	crown washer	kroonring	ASTM 276 SS304	ASTM 276 SS304	1
18	spring washer	veerring	ASTM 276 SS304	ASTM 276 SS304	1
19	stem nut	spindelmoer	A2-70 (SS304)	A2-70 (SS304)	1
20	handle stop bolt	hendel stoppin	A2-70 (SS304)	A2-70 (SS304)	1
21	locking pad	vergrendeling	ASTM A 240 tp 201	ASTM A 240 tp 201	1
22	handle	hendel	ASTM A 240 tp 201	ASTM A 240 tp 201	1
23	handle cover	handgreep	PVC	PVC	1
24	handle stop nut	hendel stopmoer	A2-70 (SS304)	A2-70 (SS304)	1

- stock, s.u.
- ex mill

- voorraad, m.o.
- af fabriek

¹ 6 pcs for DN100

COLOR HANDLE COVER : standard : yellow Options : red, green, blue, grey, white

KLEUR HANDGREEP : standaard: geel. Opties : rood, groen, blauw, grijs, wit.

Made in licence by [V] 威腾阀门 for

VICTORY VALVE

MD MD Europe BV

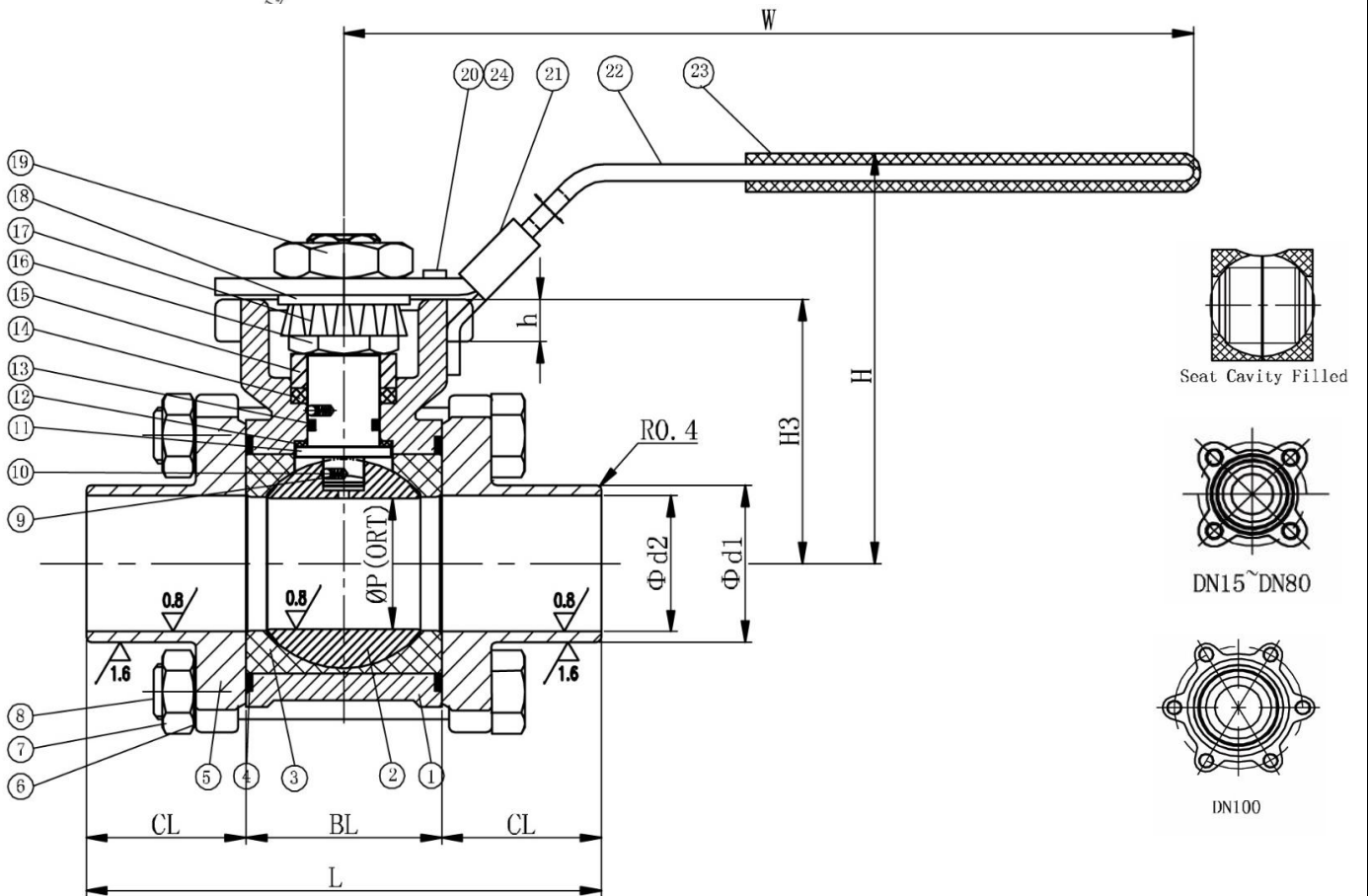
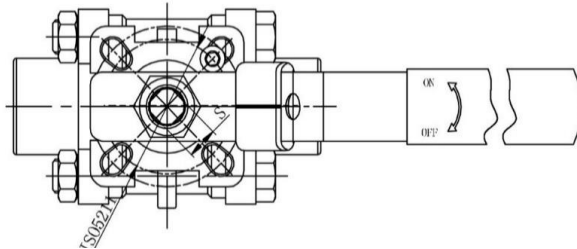
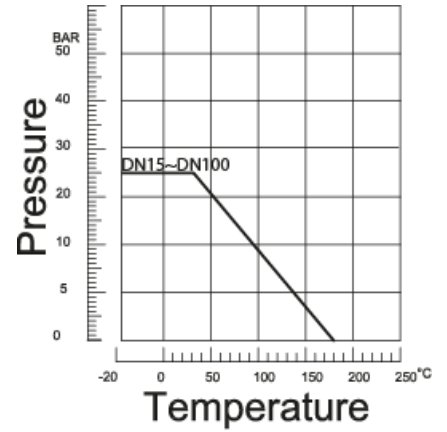


MDV-358D series C NL

www.md-europe.eu



pressure - temperature
druk - temperatuur



Made in licence by **[V] 威腾阀门** for **VICTORY VALVE**

MD MD Europe BV