



# MDV-205DCL series A

www.md-europe.eu

ST.ST.BALL VALVES	RVS KOGELAFSLUITER
<b>SPECIFICATIONS:</b>	<b>SPECIFICATIES:</b>
3 piece, full bore <b>CAVITY PTFE FILLED</b> <b>INSIDE SURFACE (d2/P) roughness Ra &gt; 0.4 &lt; 0.8 µm</b> face-to-face mill standard <b>FERRULE ENDS ACCORDING DIN 32676</b> <u>nominal pressure</u> PN25 PTFE seats and seals temperature -20°C upto +180°C	3-delig, volle doorlaat <b>HOLLE RUIMTE PTFE GEVULD</b> <b>INWENDIG OPPERVLAK (d2/P) ruwheid Ra &gt; 0.4 &lt; 0.8 µm</b> inbouw lengte fabrieksstandaard <b>FERRULE EINDEN VOLGENS DIN 32676</b> <u>nominale druk:</u> PN25 PTFE zittingen en afdichtingen temperatuur -20°C tot +180°C

TUBE CONNECTIONS	d1	d2	d3	d4	L	L3	BL	CL	H	P	W					kg/st	CF8	CF8M
BUIS AANSLUITING	mm	mm	mm	mm	mm	mm	mm	mm	mm	mm	mm					kg/pc	304	316
DN 15	19,0 x 1,5 mm	19	16	34,0	27,5	93	18,0	26	33,5	66	15	130				0,56	o	•
DN 20	23,0 x 1,5 mm	23	20	34,0	27,5	99	18,0	32	33,5	69	20	130				0,75	o	•
DN 25	29,0 x 1,5 mm	29	26	50,5	43,5	105	21,5	38	33,5	76	25	165				1,04	o	•
DN 32	35,0 x 1,5 mm	35	32	50,5	43,5	124	21,5	48	38,0	82	32	165				1,74	o	•
DN 40	41,0 x 1,5 mm	41	38	50,5	43,5	130	21,5	54	38,0	93	38	190				2,41	o	•
DN 50	53,0 x 1,5 mm	53	50	64,0	56,5	148	21,5	67	40,5	103	50	190				3,66	o	•
DN 65	70,0 x 2,0 mm	70	66	91,0	83,5	178	28,0	87	45,5	134	65	250				7,10	o	o
DN 80	85,0 x 2,0 mm	85	81	106,0	97,0	212	28,0	104	54,0	144	80	250				10,50	o	o
DN 100	104,0 x 2,0 mm	104	100	119,0	110,0	244	28,0	126	59,0	203	100	300				19,50	o	o

nr	part name	naam onderdeel	CF8	CF8M	pc
			304	316	st
1	body	huis	ASTM A 351 CF8	ASTM A 351 CF8M	1
2	ball	kogel	ASTM A 182 F316	ASTM A 182 F316	1
3	Seat Cavity Filled	zitting holte gevuld	PTFE	PTFE	2
4	Gasket	pakking	PTFE	PTFE	2
5	End-Cap	eindkap	ASTM A 351 CF8	ASTM A 351 CF8M	2
6	spring washer	veerring	ASTM 276 SS304	ASTM 276 SS304	4/6 <sup>1</sup>
7	bolt nut	moeren	A2-70 (SS304)	A2-70 (SS304)	4/6 <sup>1</sup>
8	body bol	bouten	A2-70 (SS304)	A2-70 (SS304)	4/6 <sup>1</sup>
9	plunger spring	plunjer veer	ASTM 276 SS316	ASTM 276 SS316	2
10	anti static ball	antistatischekogel	ASTM 276 SS316	ASTM 276 SS316	2
11	stem	spindel	ASTM 276 SS316	ASTM 276 SS316	1
12	thrust washer	dichtingsring	PTFE	PTFE	1
14	stem packing	spindelpakking	PTFE	PTFE	1
15	gland	pakkingdrukker	ASTM 276 SS304	ASTM 276 SS304	1
16	nut	moer	A2-70 (SS304)	A2-70 (SS304)	1
17	crown washer	kroonring	ASTM 276 SS304	ASTM 276 SS304	1
18	spring washer	veerring	ASTM 276 SS304	ASTM 276 SS304	1
19	stem nut	spindelmoer	A2-70 (SS304)	A2-70 (SS304)	1
21	locking pad	vergrendeling	ASTM A 240 tp 201	ASTM A 240 tp 201	1
22	handle	hendel	ASTM A 240 tp 201	ASTM A 240 tp 201	1
23	handle cover	handgreep	PVC	PVC	1

- stock, s.u.
  - o ex mill
- 
- voorraad, m.o.
  - o af fabriek

<sup>1</sup> 6 pcs for DN100

COLOUR HANDLE COVER: standard : yellow Options : red, green, blue, grey, white

KLEUR HANDGREEP : standaard: geel. Opties : rood, groen, blauw, grijs, wit.

Made in licence by



**MD** MD Europe BV

# MD

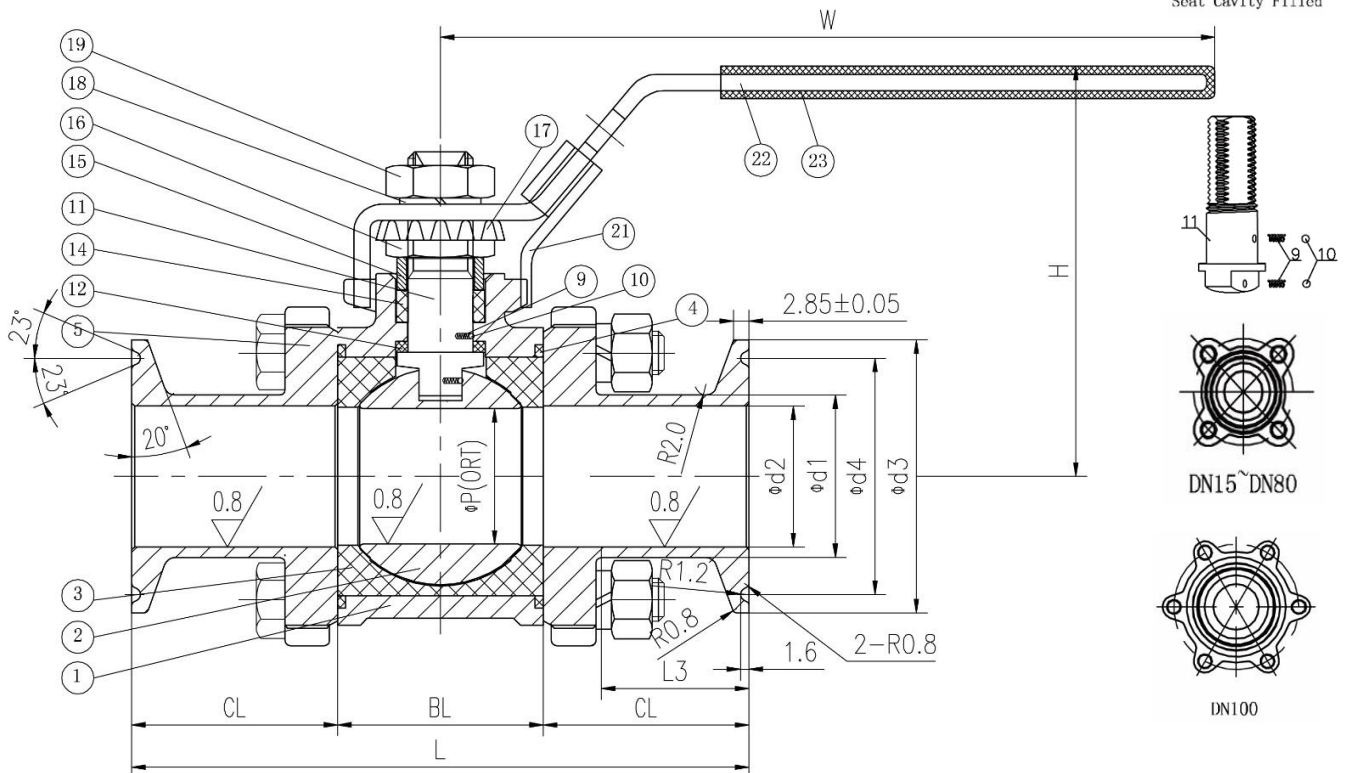
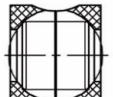
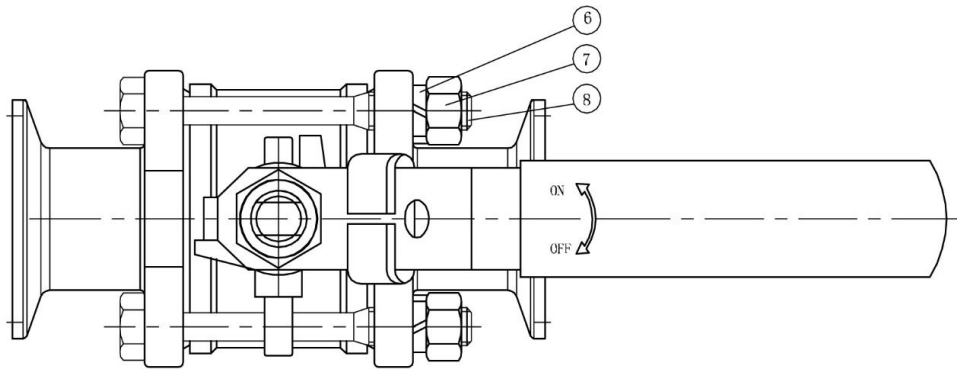
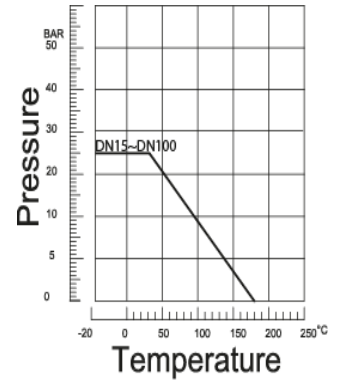
www.md-europe.eu

# MDV-205DCL series A



pressure - temperature

druk - temperatuur



Made in licence by **[V] 威勝阀门** for **VICTORY VALVE**

**MD MD Europe BV**