

MD MDV-358DCL series A

www.md-europe.eu

ST.ST.BALL VALVES

SPECIFICATIONS:

3 piece, full bore, ISO 5211 direct-mount top flange
CAVITY PTFE FILLED
INSIDE SURFACE (d2/P) roughness Ra > 0.4 < 0.8 µm
 face-to-face mill standard
FERRULE ENDS ACCORDING DIN 32676
nominal pressure
 PN25
 PTFE seats and seals
 temperature -20°C upto +180°C

RVS KOGELAFSLUITER

SPECIFICATIES:

3-delig, volle doorlaat, ISO 5211 direct-mount top flens
HOLLE RUIJTE PTFE GEVULD
INWENDIG OPPERVLAK (d2/P) ruwheid Ra > 0.4 < 0.8 µm
 inbouw lengte fabrieksstandaard
FERRULE EINDEN VOLGENS DIN 32676
nominale druk:
 PN25
 PTFE zittingen en afdichtingen
 temperatuur -20°C tot +180°C

TUBE CONNECTIONS	d1	d2	d3	d4	L	L3	BL	CL	H	P	W	S	ISO 5211						kg/pc	CF8	CF8M	
													F	PCD	Ø	F	PCD	Ø				kg/st
DN 15	19,0 x 1,5 mm	19	16	34,0	27,5	93	18,0	26	33,5	61	15	120	9	F03	36	6x4	F04	42	6x4	0,56	o	•
DN 20	23,0 x 1,5 mm	23	20	34,0	27,5	99	18,0	32	33,5	65	20	120	9	F03	36	6x4	F04	42	6x4	0,75	o	•
DN 25	29,0 x 1,5 mm	29	26	50,5	43,5	105	21,5	38	33,5	81	25	165	11	F04	42	6x4	F05	50	7x4	1,08	o	•
DN 32	35,0 x 1,5 mm	35	32	50,5	43,5	124	21,5	48	38,0	87	32	165	11	F04	42	6x4	F05	50	7x4	1,73	o	•
DN 40	41,0 x 1,5 mm	41	38	50,5	43,5	130	21,5	54	38,0	100	38	190	14	F05	50	7x4	F07	70	9x4	2,56	o	•
DN 50	53,0 x 1,5 mm	53	50	64,0	56,5	148	21,5	67	40,5	120	50	190	14	F05	50	7x4	F07	70	9x4	3,20	o	•
DN 65	70,0 x 2,0 mm	70	66	91,0	83,5	178	28,0	87	45,5	168	65	250	17	F07	70	9x4	F10	102	11x4	7,35	o	o
DN 80	85,0 x 2,0 mm	85	81	106,0	97,0	212	28,0	104	54,0	148	80	250	17	F07	70	9x4	F10	102	11x4	11,21	o	o
DN 100	104,0 x 2,0 mm	104	100	119,0	110,0	244	28,0	126	59,0	170	100	300	17	F07	70	9x4	F10	102	11x4	20,30	o	o

nr	part name	naam onderdeel	CF8	CF8M	pc
			304	316	st
1	body	huis	ASTM A 351 CF8	ASTM A 351 CF8M	1
2	ball	kogel	ASTM A 182 F316	ASTM A 182 F316	1
3	Seat Cavity Filled	zitting holte gevuld	PTFE	PTFE	2
4	Gasket	pakking	PTFE	PTFE	2
5	End-Cap	eindkap	ASTM A 351 CF8	ASTM A 351 CF8M	2
6	spring washer	veerring	ASTM 276 SS304	ASTM 276 SS304	4/6 ¹
7	bolt nuts	moeren	A2-70 (SS304)	A2-70 (SS304)	4/6 ¹
8	body bolt	bouten	A2-70 (SS304)	A2-70 (SS304)	4/6 ¹
9	plunger spring	plunjer veer	ASTM 276 SS316	ASTM 276 SS316	2
10	anti static ball	antistatischekogel	ASTM 276 SS316	ASTM 276 SS316	2
11	stem	spindel	ASTM 276 SS316	ASTM 276 SS316	1
12	thrust washer	dichtingsring	PTFE	PTFE	1
13	o ring	o ring	viton	viton	1
14	stem packing	spindelpakking	PTFE	PTFE	1
15	gland	pakkingsdrukker	ASTM 276 SS304	ASTM 276 SS304	1
16	nut	moer	A2-70 (SS304)	A2-70 (SS304)	1
17	crown washer	kroonring	ASTM 276 SS304	ASTM 276 SS304	1
18	spring washer	veerring	ASTM 276 SS304	ASTM 276 SS304	1
19	stem nut	spindelmoer	A2-70 (SS304)	A2-70 (SS304)	1
20	handle stop bolt	hendel stoppin	A2-70 (SS304)	A2-70 (SS304)	1
21	locking pad	vergrendeling	ASTM A 240 tp 201	ASTM A 240 tp 201	1
22	handle	hendel	ASTM A 240 tp 201	ASTM A 240 tp 201	1
23	handle cover	handgreep	PVC	PVC	1
24	handle stop nut	hendel stopmoer	A2-70 (SS304)	A2-70 (SS304)	1

• stock, s.u.

o ex mill

• voorraad, m.o.

o af fabriek

COLOR HANDLE COVER : standard : yellow Options : red, green, blue, grey, white

¹ 6 pcs for DN100

KLEUR HANDGREEP : standaard: geel. Opties : rood, groen, blauw, grijs, wit.

Made in licence by

[V] 威腾阀门 for
VICTORY VALVE

MD MD Europe BV



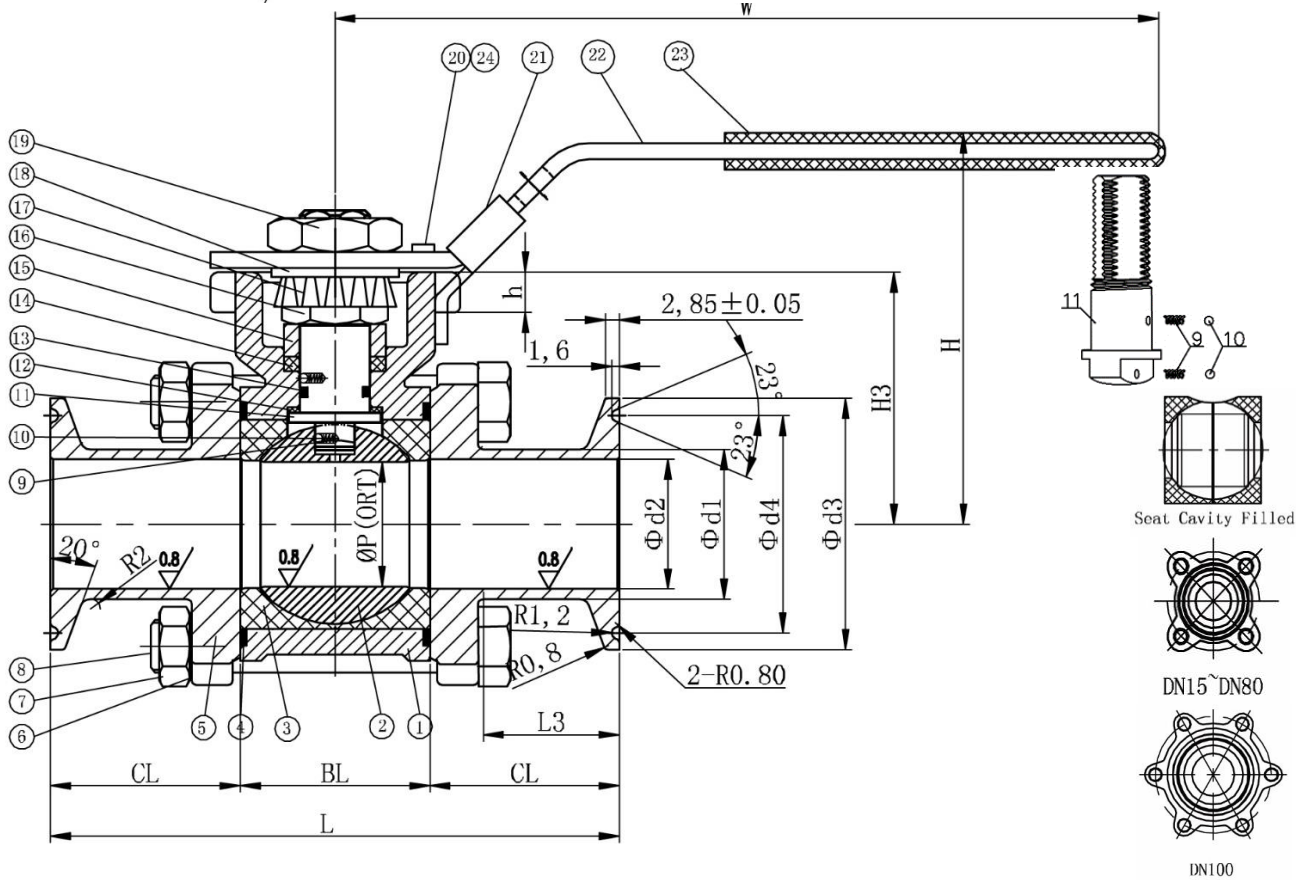
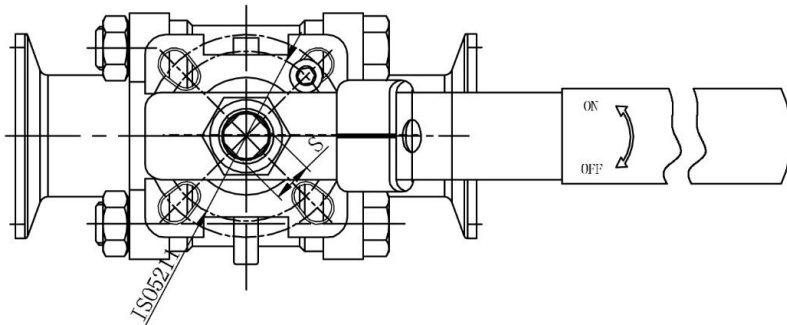
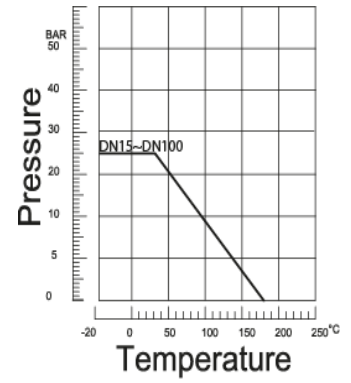
www.md-europe.eu

MDV-358DCL series A



pressure - temperature

druk - temperatuur



Made in licence by

[V] 威腾阀门 for VICTORY VALVE

MD MD Europe BV