



www.md-europe.eu

MDV-355T FS

ST.ST.BALL VALVES	RVS KOGELAFSLUITER
SPECIFICATIONS:	SPECIFICATIES:
3 piece, full bore, ISO 5211 direct-mount top flange FIRE SAFE TESTED TO API 607 face-to-face EN 16722 tabel 1-M3 f/f thread ISO 228-1G <i>also available ex mill as MDV-355NT FS with NPT thread</i> <u>nominal pressure</u> DN 8 (1/4") - DN25 (1"): PN140 DN 32 (1.14") - DN50 (2"):PN100 CTFE seats and seals temperature -20°C upto 180°C	3-delig, volle doorlaat, ISO 5211 direct-mount top flens FIRE SAFE GETEST VOLGENS API 607 inbouw lengte EN 16722 tabel 1-M3 bi-bi draad ISO 228-1G <i>ook leverbaar af fabriek als MDV-355NT FS met NPT draad</i> <u>nominale druk</u> DN 8 (1/4") - DN25 (1"): PN140 DN 32 (1.14") - DN50 (2"):PN100 CTFE zittingen en afdichtingen temperatuur -20°C tot +180°C

DIMENSIONS	P	L	CL	BL	H	W	H3	h	S	ISO 5211						kg/pc	CF8	CF8M	
										F	PCD	Ø	F	PCD	Ø				kg/st
DN 8	1/4"	7	75	22,2	30,6	68	130	42	6	9	F03	36	6x4	F04	42	6x4	0,81	o	o
DN 10	3/8"	10	75	22,2	30,6	68	130	42	6	9	F03	36	6x4	F04	42	6x4	0,81	o	o
DN 15	1/2"	15	75	22,2	30,6	68	130	42	6	9	F03	36	6x4	F04	42	6x4	0,81	o	o
DN 20	3/4"	20	80	23,0	34,0	82	139	45	6	9	F03	36	6x4	F04	42	6x4	1,27	o	o
DN 25	1"	25	90	27,0	36,0	99	165	56	7,5	11	F04	42	6x4	F05	50	7x4	1,94	o	o
DN 32	1.1/4"	32	110	32,0	46,0	102	165	63	7,5	11	F04	42	6x4	F05	50	7x4	2,65	o	o
DN 40	1.1/2"	38	120	33,5	53,0	128	215	78	10	14	F05	50	7x4	F07	70	9x4	3,75	o	o
DN 50	2"	50	140	35,8	68,0	137	215	88	10	14	F05	50	7x4	F07	70	9x4	5,53	o	o

nr	part name	naam onderdeel	CF8	CF8M	pc
			304	316	st
1	body	huis	ASTM A 351 CF8	ASTM A 351 CF8M	1
2	ball	kogel	ASTM A 182 F316	ASTM A 182 F316	1
3	seat	zitting	CTFE	CTFE	2
4	gasket	pakking	CTFE	CTFE	2
5	endcap	eindkap	ASTM A 351 CF8	ASTM A 351 CF8M	2
6	spring washer	veerring	ASTM 276 SS304	ASTM 276 SS304	4
7	nuts	moeren	A2-70 (SS304)	A2-70 (SS304)	4
8	bolts	bouten	A2-70 (SS304)	A2-70 (SS304)	4
9	plunger spring	plunjer veer	ASTM 276 SS316	ASTM 276 SS316	2
10	anti static ball	antistatischekogel	ASTM 276 SS316	ASTM 276 SS316	2
11	stem	spindel	ASTM 276 SS316	ASTM 276 SS316	1
12	thrust washer	dichtingsring	PTFE	PTFE	1
13	o ring	o ring	VITON	VITON	1
14	stem packing	spindelpakking	GRAPHITE	GRAPHITE	1
15	gland	pakkingsdrukker	ASTM 276 SS304	ASTM 276 SS304	1
16	belleville washer	schotelring	ASTM 240 SS304	ASTM 240 SS304	2
17	crown washer	kroonring	ASTM 276 SS304	ASTM 276 SS304	1
18	spring washer	veerring	ASTM 276 SS304	ASTM 276 SS304	1
19	stem nut	spindelmoer	A2-70 (SS304)	A2-70 (SS304)	2
20	stop bolt	stoppin	A2-70 (SS304)	A2-70 (SS304)	1
21	locking pad	vergrendeling	ASTM A 240 tp 201	ASTM A 240 tp 201	1
22	handle	hendel	A2-70 (SS304)	A2-70 (SS304)	1
23	handle cover	handgreep	PVC	PVC	1
24	stop nut	stopmoer	A2-70 (SS304)	A2-70 (SS304)	1
25	gasket	pakking	GRAPHITE	GRAPHITE	2

- stock, s.u.
- o ex mill
- voorraad, m.o.
- o af fabriek

COLOR HANDLE COVER : standard : yellow Options : red, green, blue, grey, white
 KLEUR HANDGREEP : standaard: geel. Opties : rood, groen, blauw, grijs, wit.

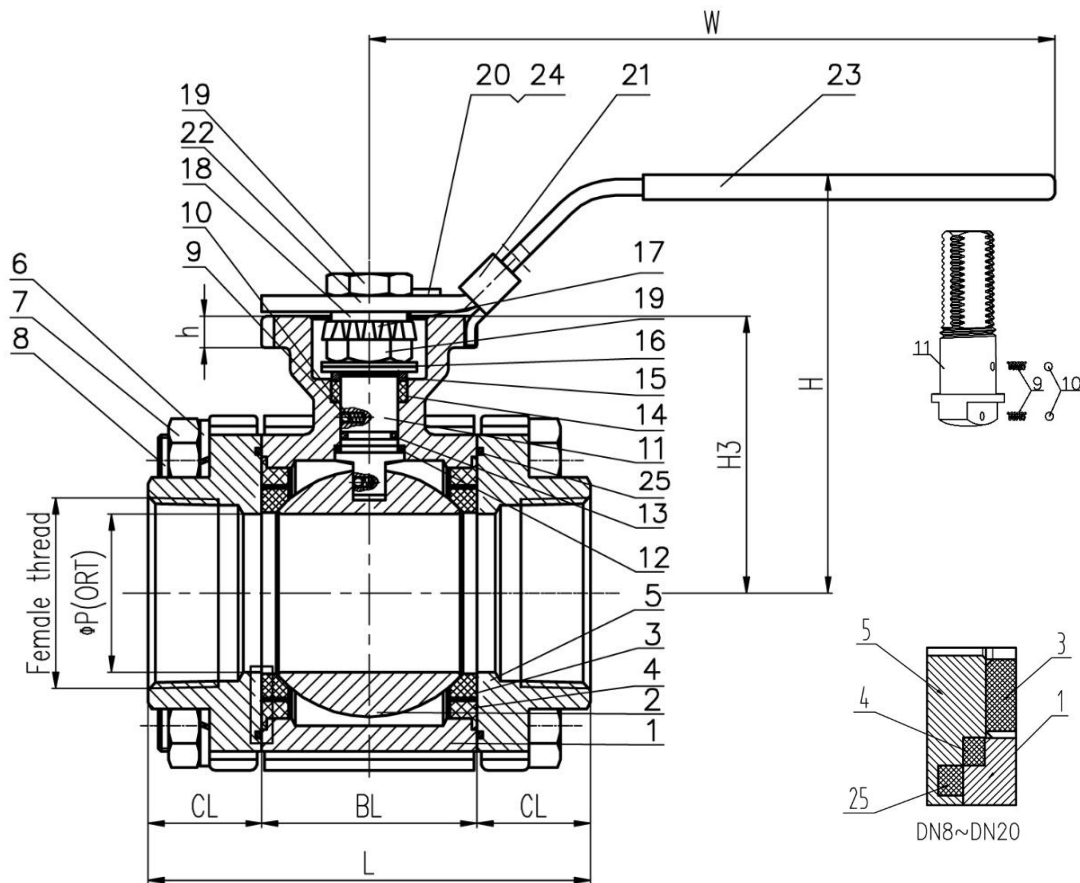
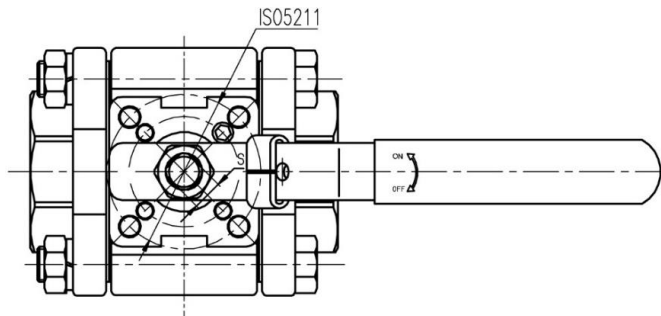
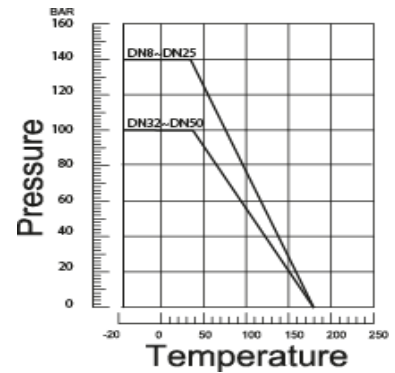
MD

www.md-europe.eu

MDV-355T FS



pressure - temperature
druk - temperatuur



Made in licence by

[V] 威腾阀门 for
VICTORY VALVE

MD MD Europe BV