



www.md-europe.eu

# MDV-355BW FS

**ST.ST.BALL VALVES****SPECIFICATIONS:**

3 piece, full bore, ISO 5211 direct-mount top flange

**FIRE SAFE TESTED TO API 607**

face-to-face EN 12982 tabel 1-67

BW ENDS according ANSI/ASME B16,25

nominal pressure

DN 8 (1/4") - DN25 (1"): PN140

DN 32 (1.14") - DN50 (2"):PN100

CTFE seats and seals

temperature -20°C upto 180°C

**RVS KOGELAFSLUITER****SPECIFICATIES:**

3-delig, volle doorlaat, ISO 5211 direct-mount top flens

**FIRE SAFE GETEST VOLGENS API 607**

inbouw lengte EN 12982 tabel 1-67

laseinden volgens ANSI/ASME B16.25

nominale druk

DN 8 (1/4") - DN25 (1"): PN140

DN 32 (1.14") - DN50 (2"):PN100

CTFE zittingen en afdichtingen

temperatuur -20°C tot +180°C

**DIMENSIONS**

AFMETINGEN		P	L	CL	BL	H	W	H3	h	S	ISO 5211						kg/pc	CF8	CF8M
DN	D	mm	mm	mm	mm	mm	mm	mm	mm	mm	F	PCD	Ø	F	PCD	Ø	kg/st	304	316
DN 8	13,7	7	75	22,2	30,6	68	130	42	6	9	F03	36	6x4	F04	42	6x4	0,81	o	o
DN 10	17,2	10	75	22,2	30,6	68	130	42	6	9	F03	36	6x4	F04	42	6x4	0,81	o	o
DN 15	21,3	15	75	22,2	30,6	68	130	42	6	9	F03	36	6x4	F04	42	6x4	0,81	o	o
DN 20	26,7	20	90	28,0	34,0	82	139	45	6	9	F03	36	6x4	F04	42	6x4	1,27	o	o
DN 25	33,4	25	100	32,0	36,0	99	165	56	8	11	F04	42	6x4	F05	50	7x4	1,94	o	o
DN 32	42,2	32	110	32,0	46,0	102	165	63	8	11	F04	42	6x4	F05	50	7x4	2,65	o	o
DN 40	48,3	38	125	36,0	53,0	128	215	78	10	14	F05	50	7x4	F07	70	9x4	3,75	o	o
DN 50	60,3	50	150	41,0	68,0	137	215	88	10	14	F05	50	7x4	F07	70	9x4	5,53	o	o

nr	part name	naam onderdeel	CF8 304	CF8M 316	pc st
1	body	huis	ASTM A 351 CF8	ASTM A 351 CF8M	1
2	ball	kogel	ASTM A 182 F316	ASTM A 182 F316	1
3	seat	zitting	CTFE	CTFE	2
4	joint gasket	pakking	CTFE	CTFE	2
5	endcap	eindkap	ASTM A 351 CF8	ASTM A 351 CF8M	2
6	spring washer	veerring	ASTM 276 SS304	ASTM 276 SS304	4
7	nuts	moeren	A2-70 (SS304)	A2-70 (SS304)	4
8	bolts	bouten	A2-70 (SS304)	A2-70 (SS304)	4
9	plunger spring	plunjer veer	ASTM 276 SS316	ASTM 276 SS316	2
10	anti static ball	antistatischekogel	ASTM 276 SS316	ASTM 276 SS316	2
11	stem	spindel	ASTM 276 SS316	ASTM 276 SS316	1
12	thrust washer	dichtingsring	PTFE	PTFE	1
13	o ring	o ring	VITON	VITON	1
14	stem packing	spindelpakking	GRAPHITE	GRAPHITE	1
15	packing gland	pakkingsdrukker	ASTM 276 SS304	ASTM 276 SS304	1
16	belleville washer	schotelring	ASTM 240 SS304	ASTM 240 SS304	2
17	crown washer	kroonring	ASTM 276 SS304	ASTM 276 SS304	1
18	spring washer	veerring	ASTM 276 SS304	ASTM 276 SS304	1
19	stem nut	spindelmoer	A2-70 (SS304)	A2-70 (SS304)	2
20	handle stop bolt	hendel stoppin	A2-70 (SS304)	A2-70 (SS304)	1
21	locking pad	vergrendeling	ASTM A 240 tp 201	ASTM A 240 tp 201	1
22	handle	hendel	A2-70 (SS304)	A2-70 (SS304)	1
23	handle cover	handgreep	PVC	PVC	1
24	handle stop nut	handle stopmoer	PVC	PVC	1
25	joint gasket	pakking	GRAPHITE	GRAPHITE	2

- stock, s.u.
- o ex mill

- voorraad, m.o.
- o af fabriek

COLOR HANDLE COVER : standard : yellow Options : red, green, blue, grey, white

KLEUR HANDGREEP : standaard: geel. Opties : rood, groen, blauw, grijs, wit.

Made in licence by [V] 威腾阀门 for



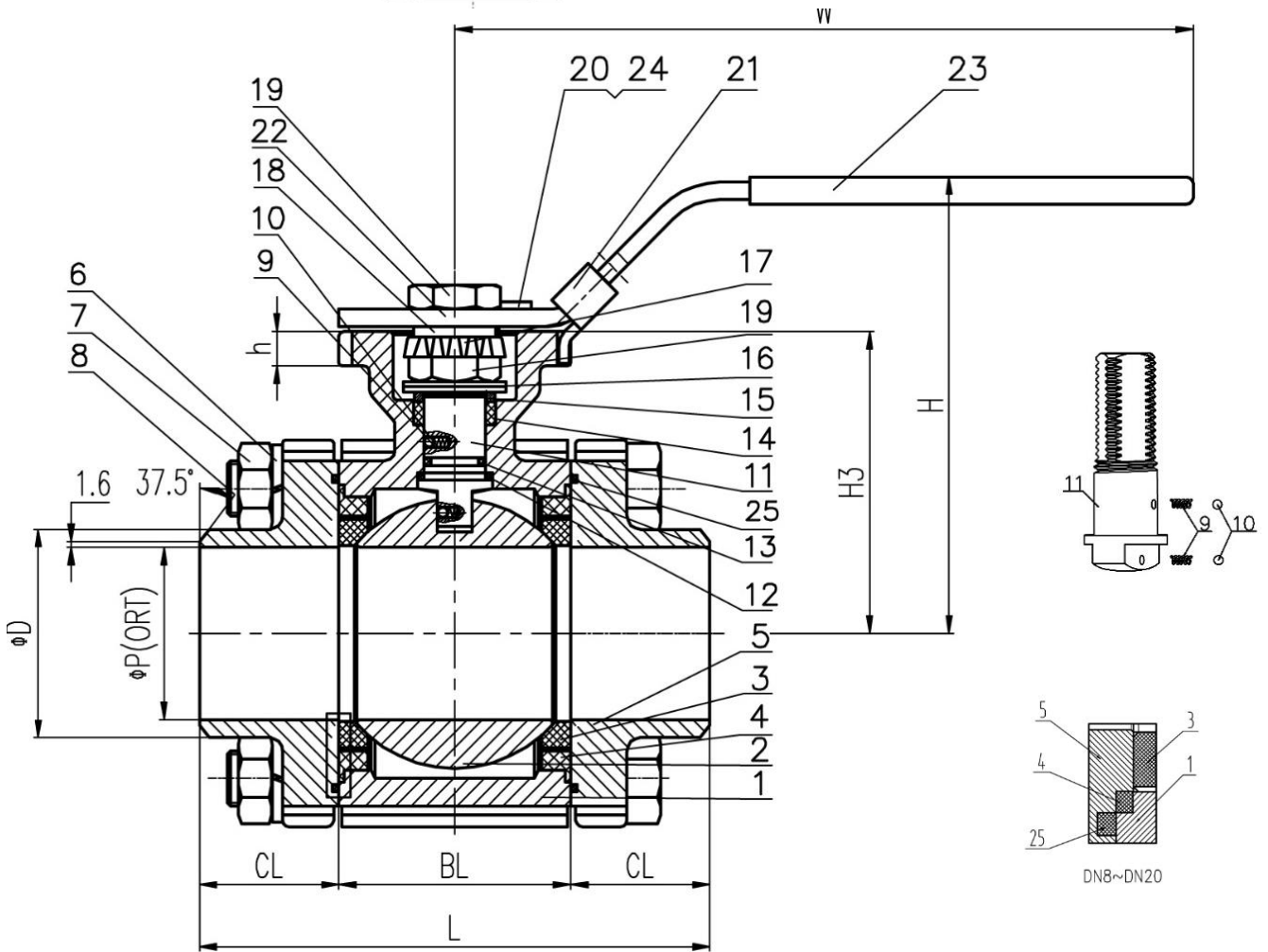
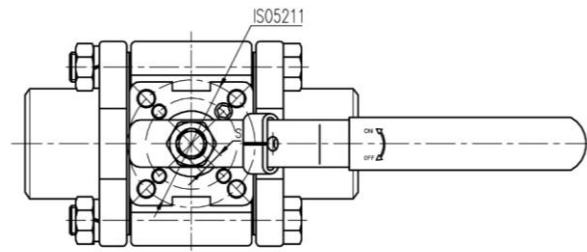
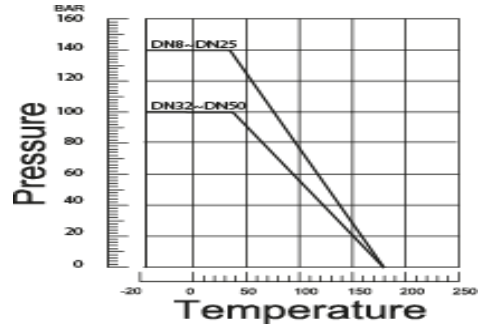


www.md-europe.eu

# MDV-355BW FS



pressure - temperature  
druk - temperatuur



Made in licence by [V] 威腾阀门 for VICTORY VALVE

MD MD Europe BV