

SINGLE ACTING PNEUMATIC ACTUATORS (SC)	ENKELWERKENDE PNEUMATISCHE ACTUATORS (SC)
<b>SPECIFICATIONS:</b>	<b>SPECIFICATIES:</b>
mounting connections: according to ISO 5211 connections for accessories: NAMUR NBR O-ring seals rotation angle 90° torque: directly proportional to the air supply	montage aansluitingen: volgens ISO 5211 aansluitingen voor hulpstukken: NAMUR NBR O-ring afdichtingen rotatie hoek 90° draaimoment: direct proportioneel aan de luchtdruk
<b>WORKING CONDITIONS</b>	<b>WERK CONDITIES</b>
Single Acting with maximum 8 bar air operating media: dry filtered air or lubricated air with either non-detergent oil or lubricated air with NBR compatible oil. standard work temperature: abt. 0° C upto +50° C peak temperature: -20° C upto +80° C (dry air only)	Enkelwerkend met 5 bar lucht maximum 8 bar bedieningsmedium: droge gefilterde lucht of gesmeerde lucht met "non detergent" olie of gesmeerde lucht met olie onschadelijk voor NBR standaard werkteemperatuur: ca. 0° C tot +50° C piek temperatuur: -20° C tot +80° C (alleen droge lucht)

Single action Output torque (Nm)																	
Air pressure																	
	Spring	Spring torque		3,0 bar		4,0 bar		5,0 bar		6,0 bar		7,0 bar		8,0 bar		kg/pc	stock
model	QTY	90°	0°	0°	90°	0°	90°	0°	90°	0°	90°	0°	90°	0°	90°	kg/st	voorraad
AT040SC	10	6,0	4,0			4,0	2,0	6,0	4,1	8,1	6,1	10,1	8,1	12,1	10,1	0,7	•
AT052SC	10	10,0	7,9			9,9	7,3	14,1	11,5	18,4	15,8	22,6	20,0	26,9	24,3	1,3	•
AT063SC	10	18,9	13,6			16,4	10,0	23,9	17,2	31,3	25,0	38,8	32,5	48,3	40,0	2,1	•
AT075SC	10	30,0	20,3			29,2	18,5	41,6	30,9	53,9	43,3	66,3	55,7	78,7	68,0	3,1	•
AT083SC	10	43,1	29,7			36,2	21,9	51,5	38,1	67,7	54,3	83,9	70,6	100,2	86,8	3,7	•
AT092SC	10	60,6	43,6			49,5	32,5	72,8	55,8	96,0	79,1	119,3	102,3	142,7	125,6	5,2	•
AT105SC	10	92,2	78,6			59,9	46,3	94,6	81,0	129,2	115,6	163,9	150,3	198,5	184,9	7,1	•
AT125SC	10	160	106			139	86	201	147	262	209	324	270	385	331	10,4	•
AT140SC	10	278	185			184	91	275	184	369	276	481	368	654	461	15,7	•
AT160SC	10	422	286			277	141	418	282	559	422	699	563	840	704	23,6	o
AT190SC	10	697	464			443	210	670	437	897	664	1124	891	1365	1117	35,3	o
AT210SC	10	934	594			653	313	965	625	1276	937	1588	1248	190	1560	46,6	o
AT240SC	10	1595	806			1058	360	1547	848	2036	1337	2524	1825	3013	2314	72,4	o
AT270SC	10	2075	1079			1669	673	2356	1361	3043	2048	3730	2735	4417	3422	98,3	o
AT300SC	10	2657	1642			1751	736	2600	1584	3448	2432	4296	3280	5144	4218	143	o
AT350SC	10	3850	2408			2672	1230	3942	2500	5212	3769	6482	5039	7752	6309	247	o
AT400SC	10	5422	3655			3583	1817	5392	3625	7202	5436	9011	7245	10821	9056	448	o



• stock, s.u.  
o ex mill

• voorraad, m.o.  
o af fabriek

### Actuator Selection

When Actuator Selection, you should add a safe value to the defined valve torque, for example, a 25% safe value to steam or non-lubricating media; a 30% safe value to non-lubricating paste or liquid media; a 40% safe value to non-lubricating dry gas; a 60% safe value to non particle or powder media transmitted by gas; a 20% safe value to clean and low friction lubricating media.

(the above are theoretical safe values recommended by our company Zhitai only for reference)

### Examples for selecting SC single-action actuators

When controlling a butterfly valve, with torque of 100Nm, air supply pressure of 4 bar, medium of non-lubricating dry gas, considering safety factors, you should add 40% safe value that is equal to 140Nm; search the resetting terminal in the single action output torque table for an approximate torque of 142Nm, and then find leftward in the line the terminal torque of 156Nm for the air supply pressure of 4 bar; you must the relative balance of air supply pressure torque and spring resetting torque; and then search the model and spring quantity leftward in the line, and select AT141SC and 8 springs

(for more technical information and examples send an email to [info@md-europe.eu](mailto:info@md-europe.eu) and ask for the Zhitai pneumatic actuator catalog)

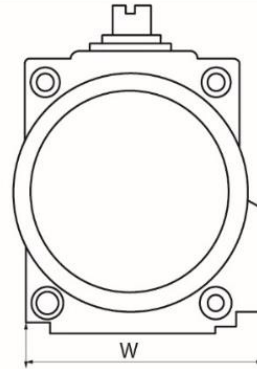
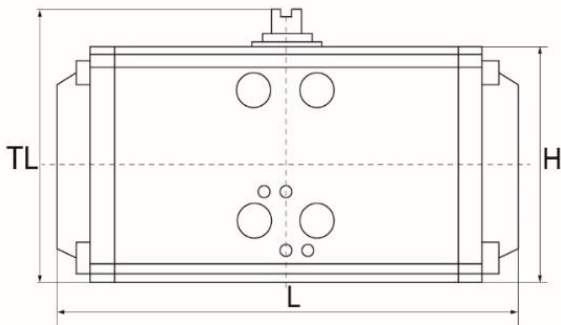
Made by



志泰科技集团  
Zhitai Technology Group

for

**MD** MD Europe BV



model	ISO 5211	Spindel	Length	Height	Height	Wide	Pneumatic
		S	L	H	TL	W	Connections
		mm	mm	mm	mm	mm	inch
AT040SC	F03-F05	9	116	60	80	61	1/8"
AT052SC	F03-F05	11	145	72	92	71	1/4"
AT063SC	F05-F07	14	169	88	108	82	1/4"
AT075SC	F05-F07	17	201	100	120	94	1/4"
AT083SC	F05-F07	17	209	108	128	101	1/4"
AT092SC	F05-F07	17	242	120	140	109	1/4"
AT105SC	F07-F10	22	275	133	153	122	1/4"
AT125SC	F07-F10	22	332	155	175	138	1/4"
AT140SC	F10-F12	27	385	172	192	153	1/4"
AT160SC	F10-F12	27	450	197	217	174	1/4"
AT190SC	F14	36	507	230	260	206	1/4"
AT210SC	F14	36	532	255	285	226	1/4"
AT240SC	F16	46	646	290	320	258	3/8"
AT270SC	F16	46	722	320	350	292	3/8"
AT300SC	F16	46	825	354	384	335	1/2"
AT350SC	F16-F25	55	866	410	460	385	1/2"
AT400SC	F16-F25	55	935	467	517	520	1/2"