



30x80 H:20



30X130 H:30

The ALS -200D double sensor converts the end or middle positions of pneumatic actuators into electric signals
It combines easy assembly with minimal components and is provided for pneumatic actuators
The flexible set system allows an adaptation to all sizes of actuators according to NAMUR

SPECIFICATIONS

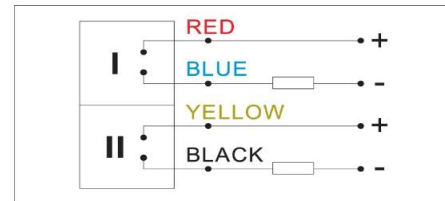
Temperature range	-40° C - +85° C
Rared Operation Distance	1-6 mm
Switching Element Function	NO (optional NC)
Output Type	2-Wire
Switching Frequency	0-4.8KHz
Position indicator	0 - 90°
Working Voltage	5-240VAC/DC
Working Current	0-300mA
Rated Power	10W
Protection Degree	IP67

FEATURES

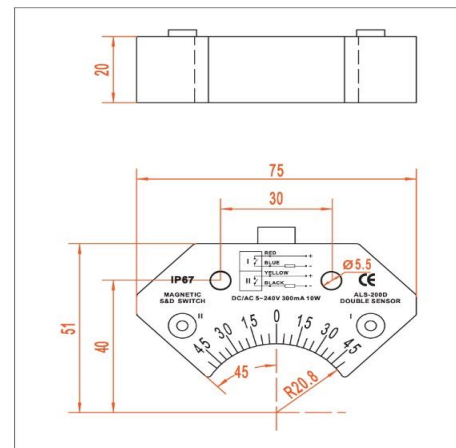
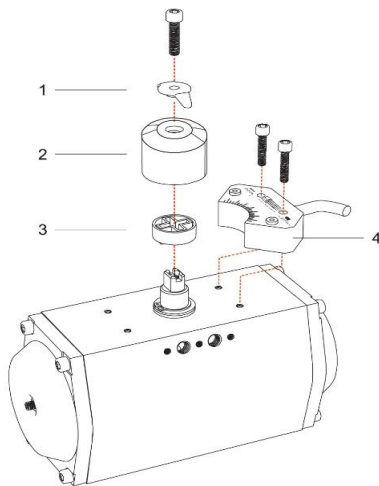
Compact design
Easy and fast mounting
According to NAMUR standard
Both AC and DC current
Moisture-Proof and Corrosion-Proof
No sparks generating with electron circuit control
Without easy-wearing working electronic components

PART NAMES

- 1 Pointer
- 2 Magnatic Indicator
- 3 Adaptors (one for 30 x 80 H:20 Three for 30 x 130 H:20)
- 4 Double sensor



WIRING



DIMENSIONS

FROM STOCK SUBJECT UNSOLD